

System	T150F (Tripod) + BR-6B (Mid-level spreader) + FP-6B (Large rubber feet)		
Payload	100 kg / 220.4 lb	Head attachment	Flat base
Weight	9.2 kg / 20.2 lb	Section	2 STAGE
Height	① H : 1625 mm W : 685 mm ( ※Reference )	Tripod fixation	Fixing lock knob
	② H : 740 mm W : 830 mm ( " )	Spreader	BR-6B ( Telescopic , Removable )
Folded length	③ L : 790 mm ( " )	Material	Aluminum pipe , Aluminum alloy, Engineering plastic

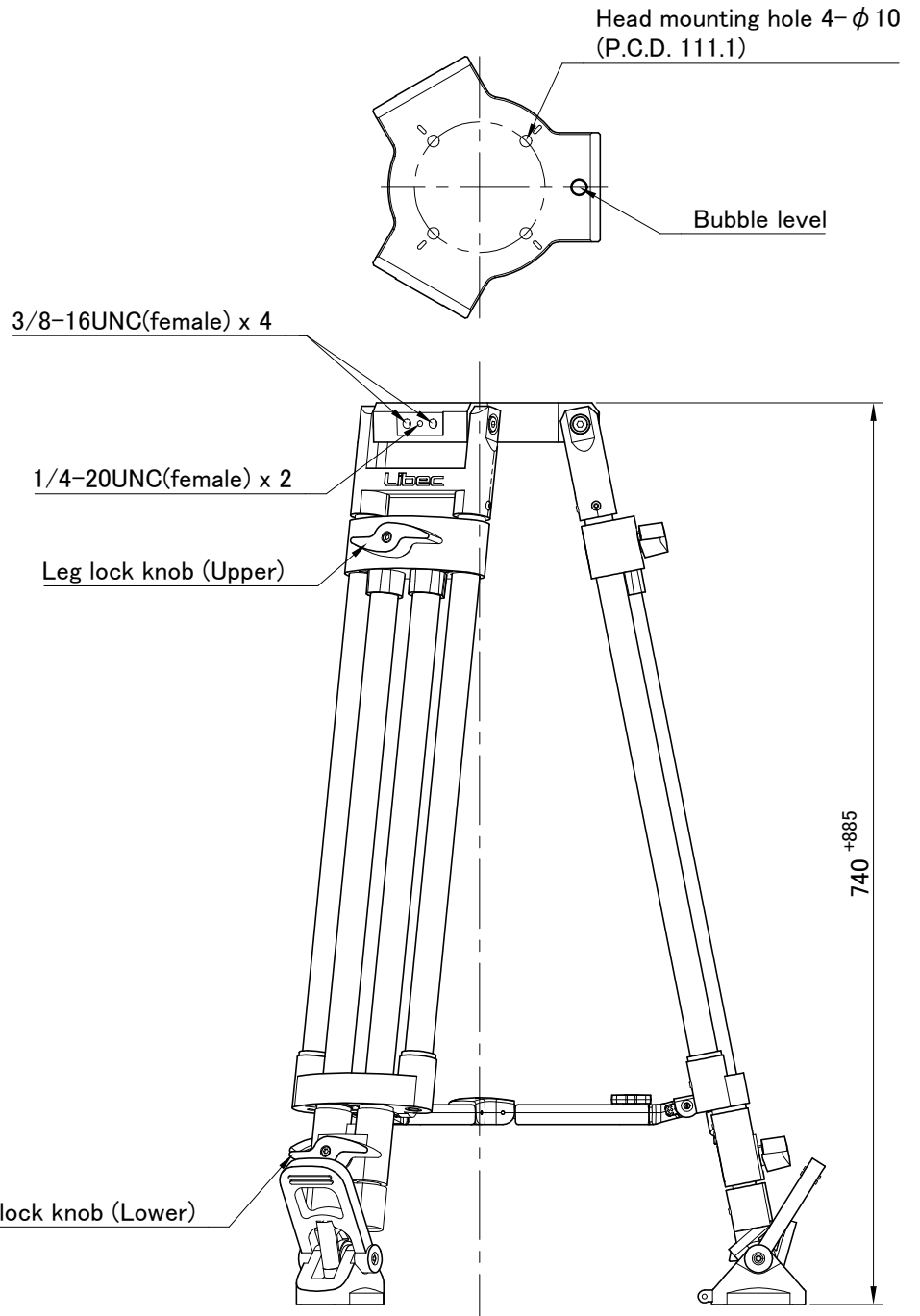
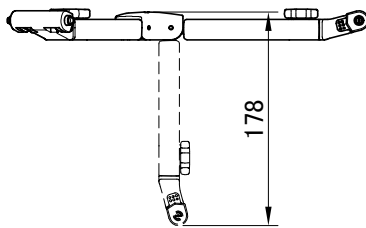
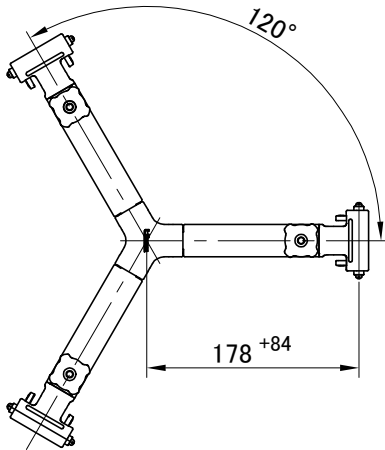
### Remarks

Outside diameter of pipe

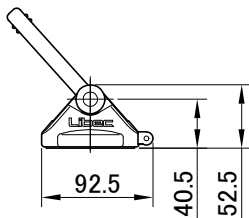
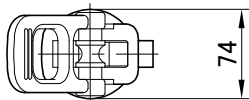
Upper :  $\phi 24$  / Middle :  $\phi 24$  / Lower :  $\phi 20$

### ■ Exterior Dimensions (mm)

#### ■ BR-6B



#### ■ FP-6B



### ※ Reference

