

System	T150B (Tripod) + BR-6B (Mid-level spreader) + FP-6B (Large rubber feet)		
Payload	100 kg / 220.4 lb	Ball diameter	φ 150 mm
Weight	7.6 kg / 16.7 lb	Section	2 STAGE
Height	① H : 1625 mm W : 830 mm (※Reference)	Tripod fixation	Fixing lock knob
	② H : 740 mm W : 685 mm (")	Spreader	BR-6B (Telescopic, Removable)
Folded length	③ L : 790 mm (")	Material	Aluminum pipe, Aluminum alloy, Engineering plastic

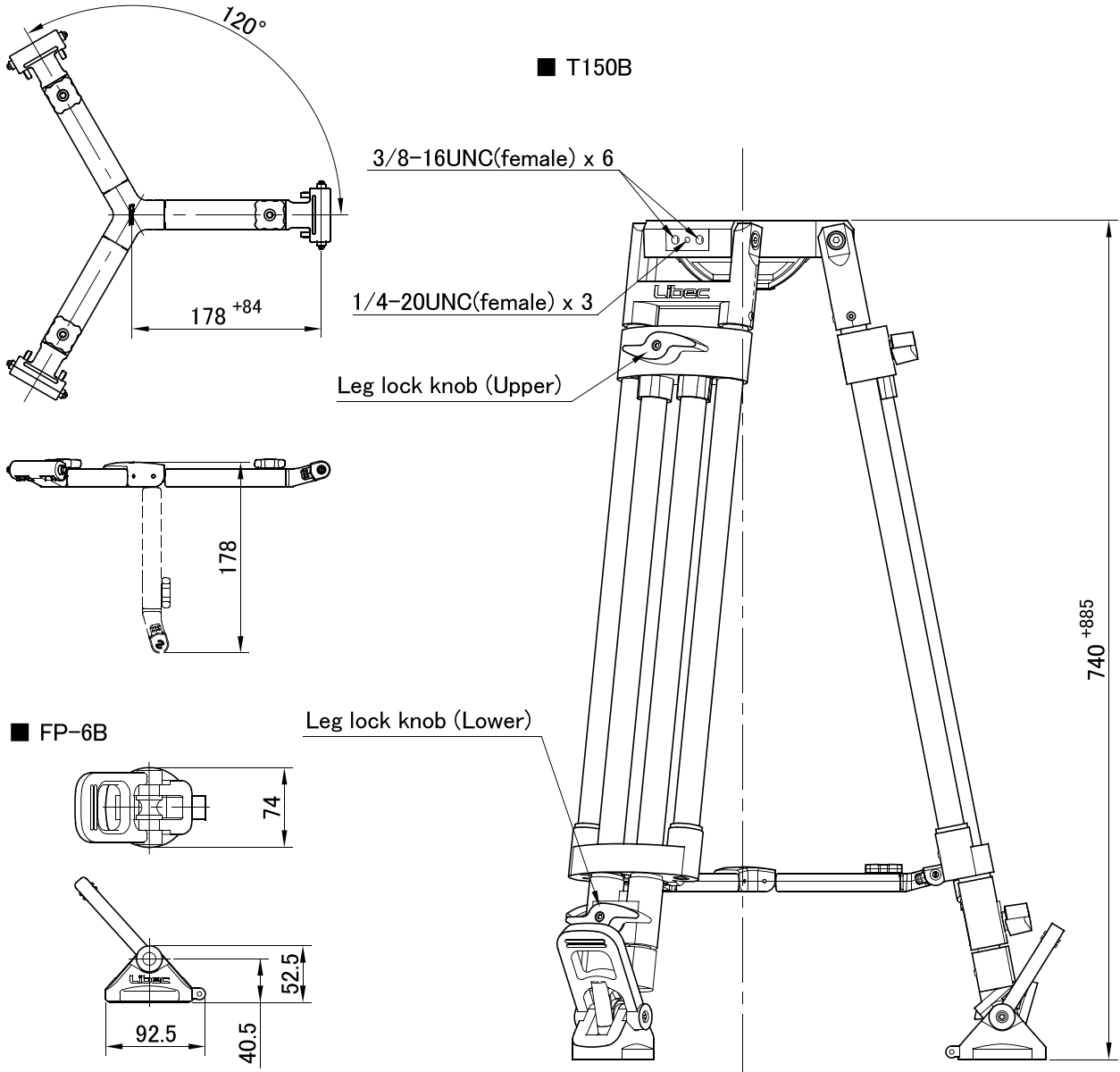
Remarks

Outside diameter of pipe

Upper : φ 24 / Middle : φ 24 / Lower : φ 20

■ Exterior dimensions (mm)

■ BR-6B



※ : Reference

