

System	T103C (Tripod) + BR-6B (Mid-level spreader) + FP-6B (Large rubber feet)		
Payload	90 kg / 198 lb	Ball diameter	φ 100 mm
Weight	6.3 kg / 13.9 lb	Section	2STAGE
Height	① H : 1720 mm W : 910 mm (※Reference)	Tripod fixation	Fixing lock knob
	② H : 780 mm W : 680 mm (")	Spreader	BR-6B (Telescopic, Removable)
Folded length	③ L : 835mm (")	Material	Carbon pipe, Aluminum alloy, Engineering plastic

Remarks

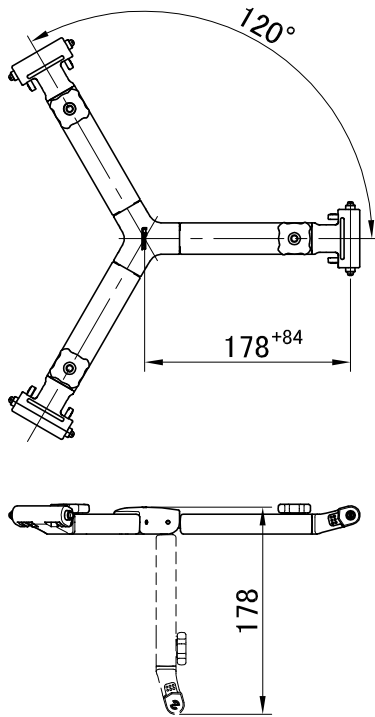
Outside diameter of pipe

Upper: φ 24 / Middle: φ 24 / Lower : φ 20

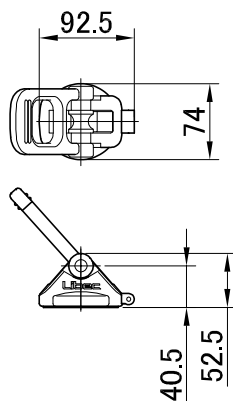
■ Exterior Dimensions (mm)

■ BR-6B

■ T103C

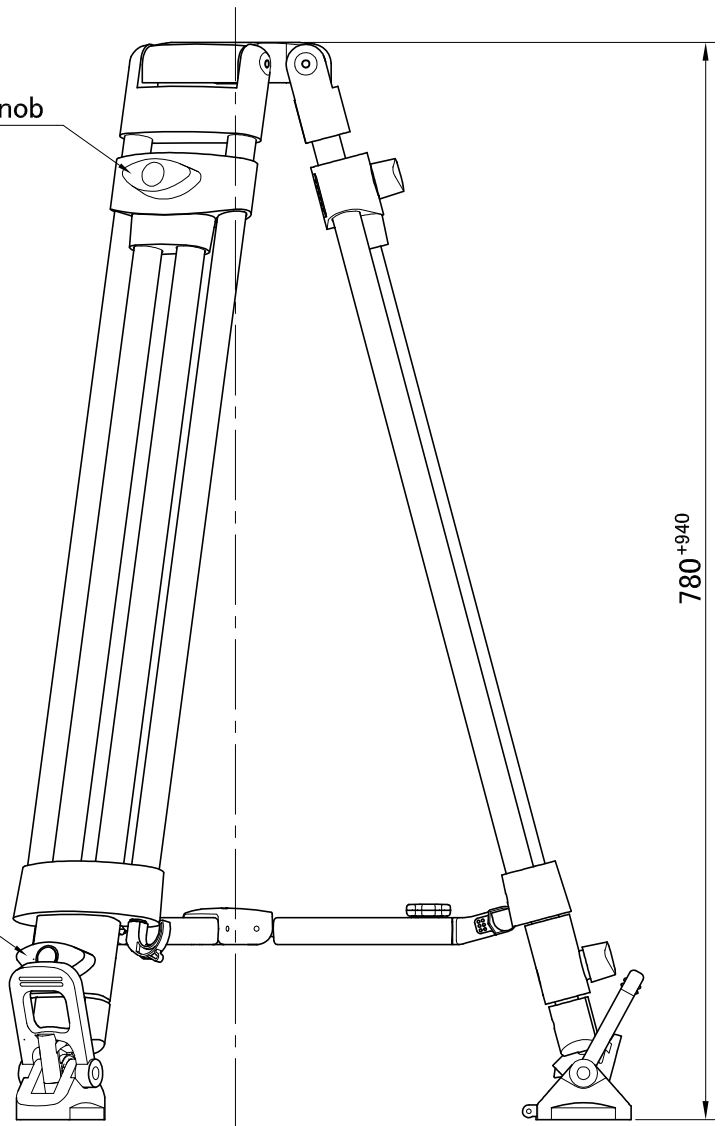


■ FP-6B



Lower lock knob

Upper lock knob



※: 参照図

