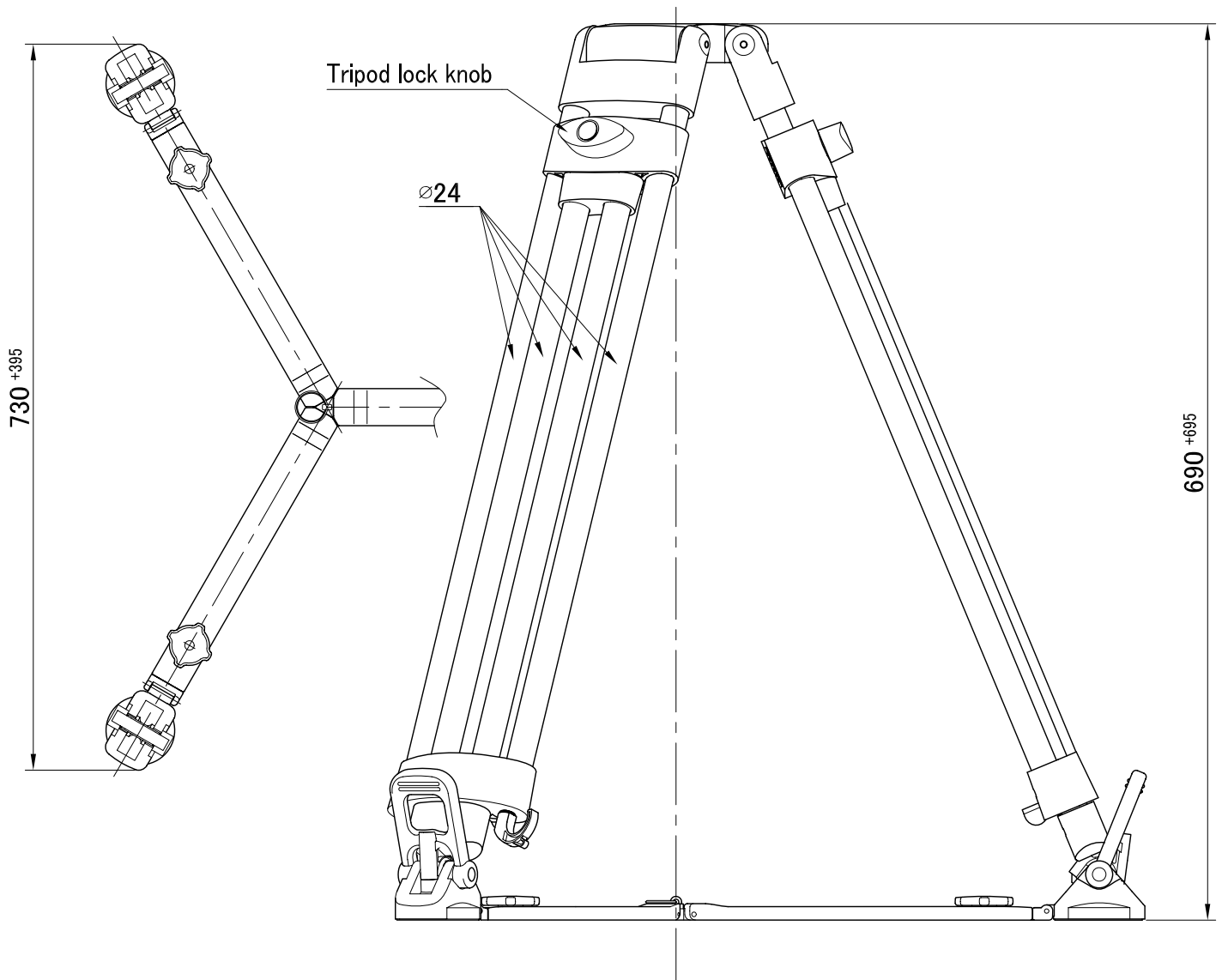


System	T102B (Tripod)+SP-6B (Floor spreader)		
Payload	90 kg / 198 lb	Ball diameter	φ 100 mm
Weight	6.6 kg / 14.5 lb	Section	1STAGE
Height	① H : 1385 mm W: 730 mm (※Reference)	Tripod fixation	Fixing lock knob
	② H : 690 mm W: 1125 mm (")	Spreader	SP-6B (Telescopic, Removable)
Folded length	③ L : 880 mm (")	Material	Aluminum pipe, Aluminum alloy, Engineering plastic

Remarks

■ Exterior Dimensions (mm)

■ SP-6B



※: Reference

