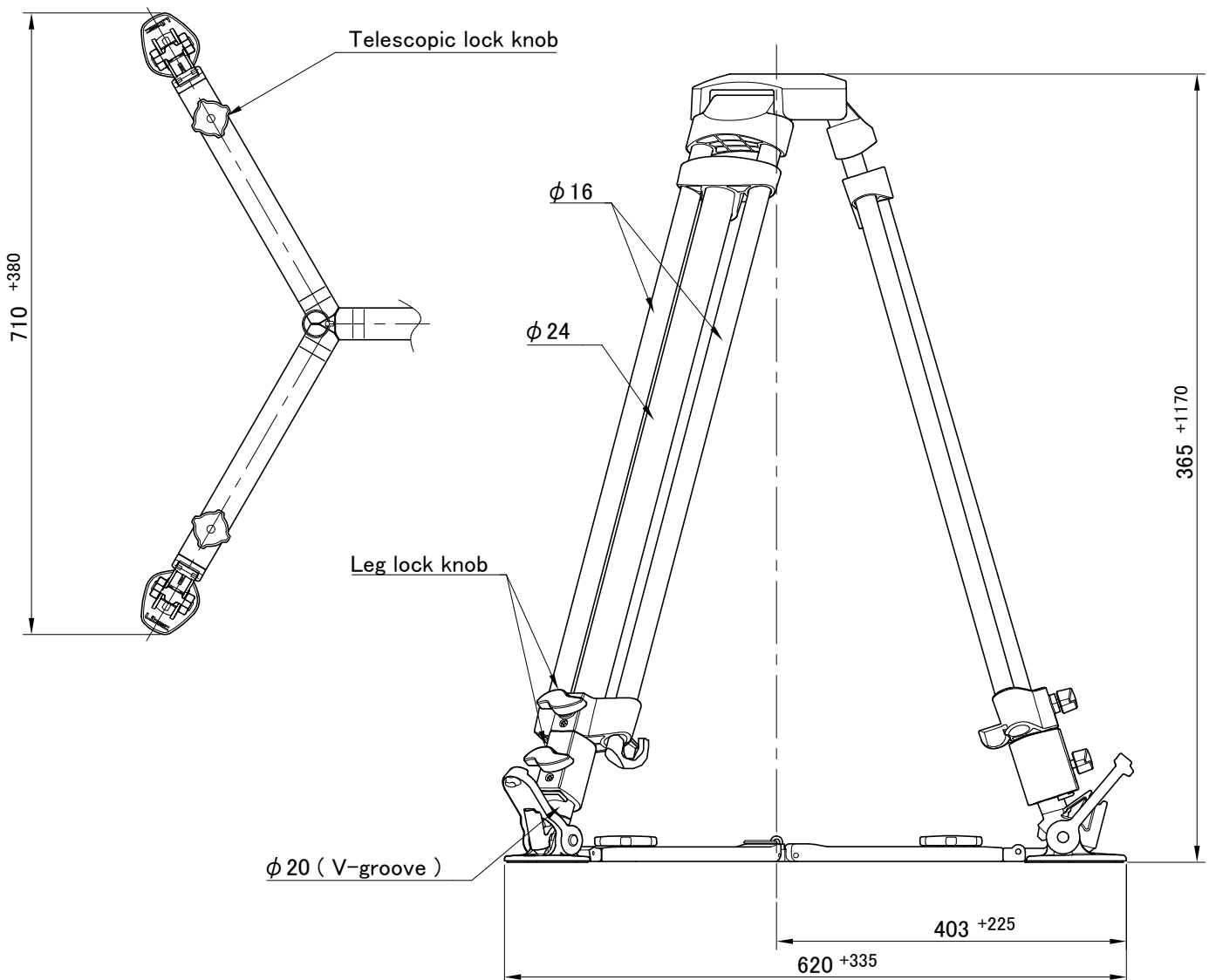


System	RT20C (Tripod) + SP-1B (Floor spreader)		
Payload	25 kg / 55.1 lb	Ball diameter	φ 75 mm
Weight	2.3 kg / 5.1 lb	Section	2STAGE
Height	① H : 1535 mm W : 710 mm (※Reference)	Tripod fixation	Fixing lock knob
	② H : 365 mm W : 1090 mm (")	Spreader	SP-1B (Telescopic , Removable)
Folded length	③ L : 670 mm (")	Material	Carbon pipe, Aluminum alloy, Engineering plastic

Remarks

■ Exterior Dimensions (mm)

■ SP-1B



※ Reference

