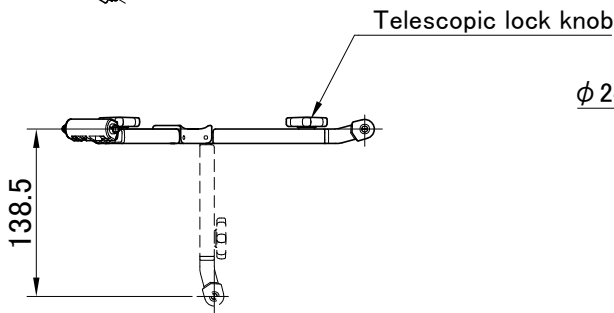
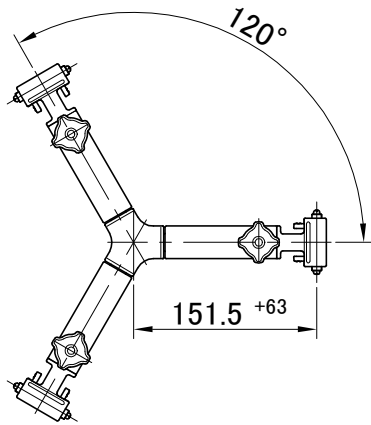


System	RT20C (Tripod) + BR-2B (Mid-level spreader) + FP-1B (Large rubber feet)		
Payload	25 kg / 55.1 lb	Ball diameter	φ 75 mm
Weight	2.0 kg / 4.4 lb	Section	2STAGE
Height	① H : 1505 mm W : 780 mm (※Reference)	Tripod fixation	Fixing lock knob
	② H : 625 mm W : 575 mm (")	Spreader	BR-2B (Telescopic , Removable)
Folded length	③ L : 670 mm (")	Material	Carbon pipe, Aluminum alloy, Engineering plastic

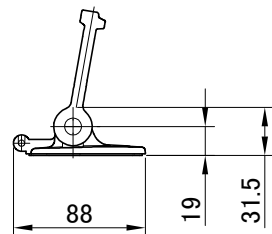
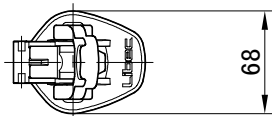
Remarks

■ Exterior Dimensions (mm)

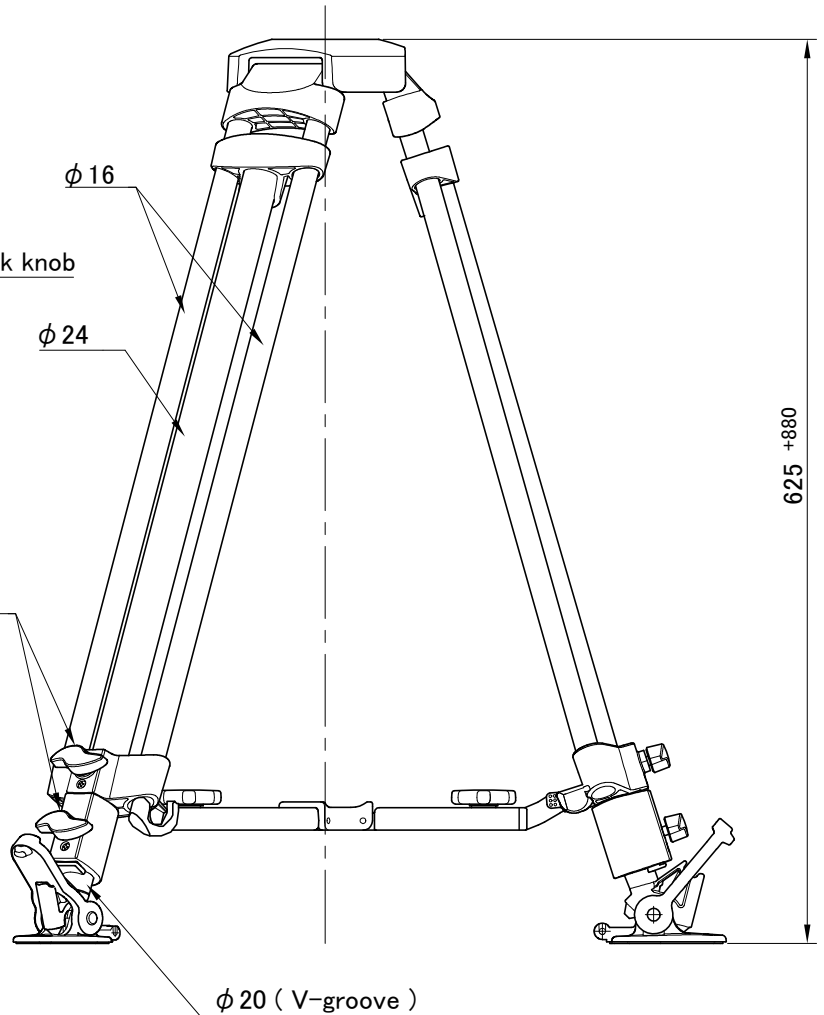
■ BR-2B



■ FP-1B



Leg lock knob



※ Reference

