

System	TH-M (Monopod) + TH-M Carrying case		
Payload	8 kg / 17.6 lb (*1)	Camera screw	1/4-20UNC / 3/8-16UNC
Weight	1.8 kg / 4.0 lb	Tilt-Pan angle	(Locked) FIX / (Unlocked) Tilt: $\pm 20^\circ$ , Pan: 360
Height	① H: 1755 mm W: 380 mm (※Reference)	Pipe diameters	Upper: $\phi 34$ mm / middle: $\phi 29.5$ mm / Lower: $\phi 25$ mm
	② H: 735 mm W: 380 mm ( " )	Section	2 STAGE
Folded length	③ L: 730 mm ( " )	Monopod fixation	Fixing flip lock levers
	L: 617 mm (Shortest length for carrying)	Pipe materials	Aluminum

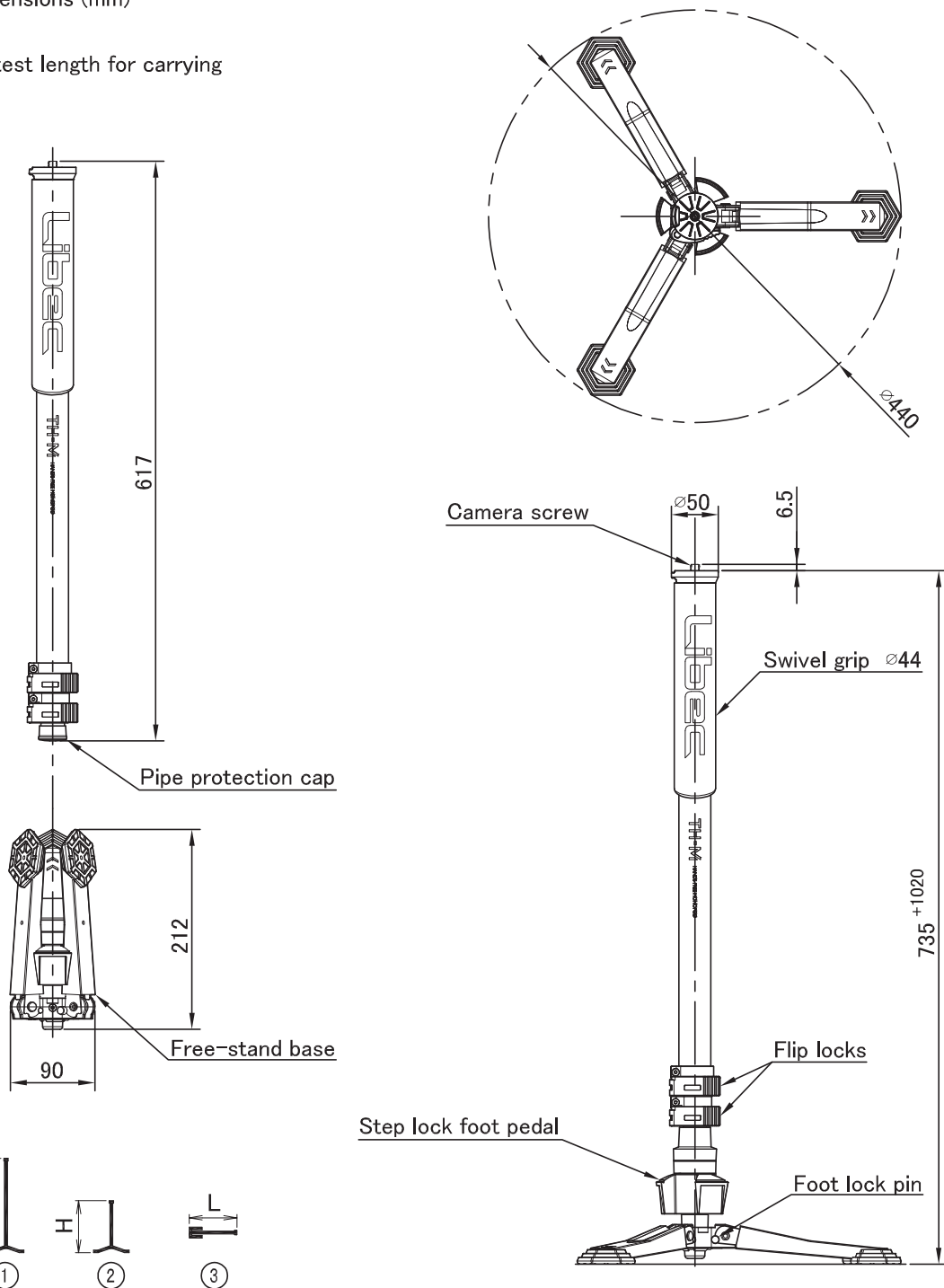
### Remarks

(\*1) The monopod's maximum payload does not guarantee a monopod's free-stand position.

Do not use the monopod without the free-stand base, this may cause damage to product.

### Exterior Dimensions (mm)

#### Shortest length for carrying



※: Reference

