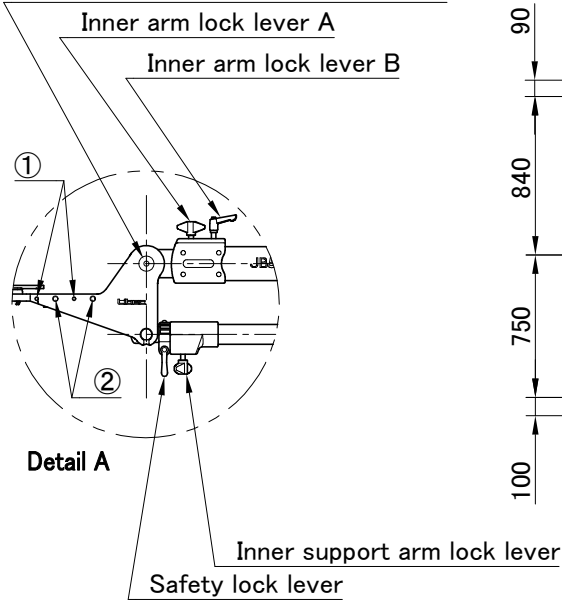


<b>System</b>	JB50 ( Jib arm )		
<b>Payload</b>	20 kg / 44.0 lb ( Main arm length : 1000 mm / 39.5" )	<b>Boom friction</b>	Continuous adjustable
	15 kg / 33.0 lb ( Main arm length : 1450 mm / 57.1" )	<b>Pan friction</b>	Continuous adjustable
	10 kg / 22.0 lb ( Main arm length : 1900 mm / 74.8" )	<b>Accessories</b>	Threaded Weight shaft x 1
<b>Weight</b>	16.4 kg / 36.2 lb		Weight fixing nut x 2
<b>Head attachment</b>	φ 100 mm , φ 75 mm (Adapter)		φ 75mm adapter x 1
<b>Tripod attachment</b>	φ 100 mm		Carrying case x 1
<b>Camera internal thread</b>	① 1/4-20UNC ( On both side ) ② 3/8-16UNC ( On both side )		Fine tuning weight 1 kg x 1
<b>Main arm length</b>	1000 ~ 1900 mm / 39.5 ~ 74.8"	<b>Case dimensions</b>	1550 x 390 x 220 mm / 61.0 x 15.3 x 8.7"

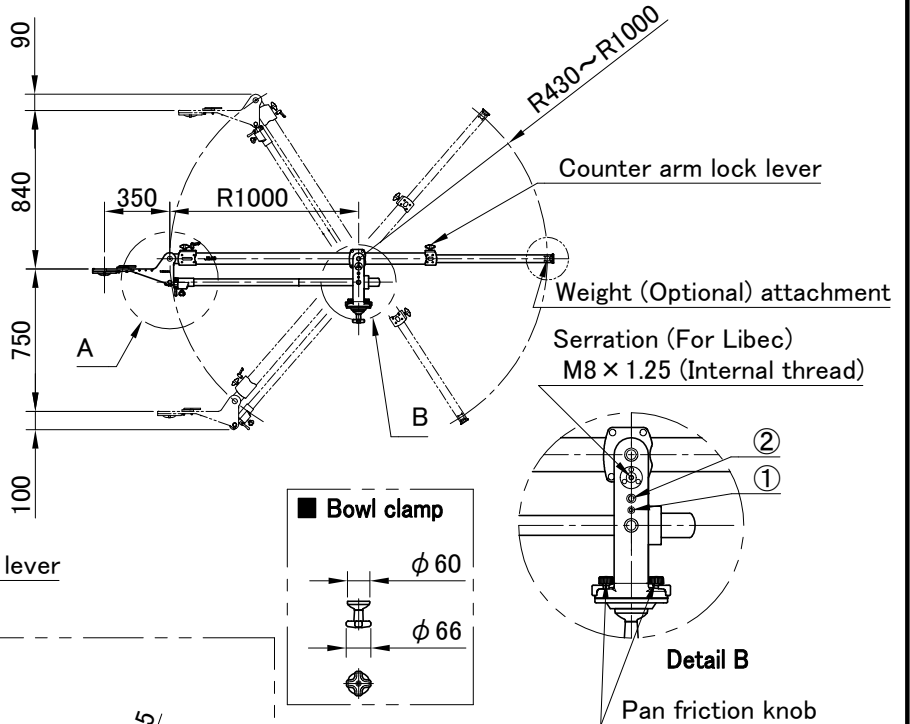
**Remarks**

■ Exterior Dimensions (mm)

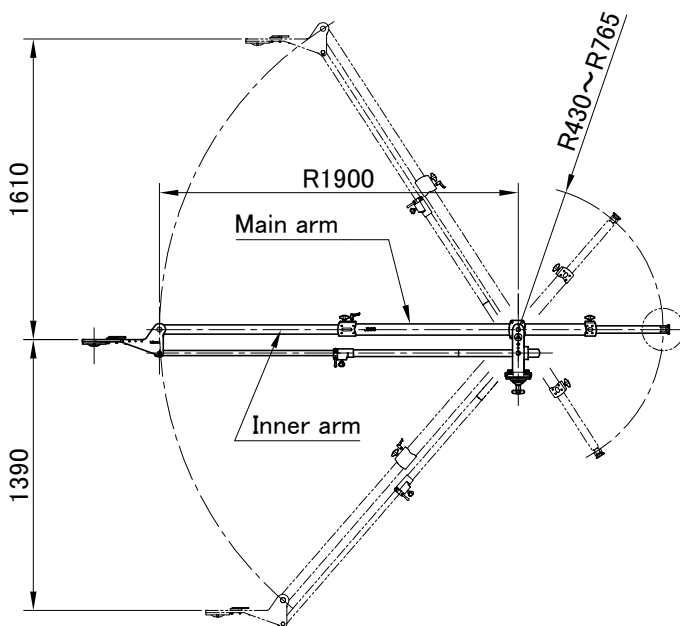
Boom friction knob (On reverse side)



■ Inner arm at min. length



■ Inner arm at max. length



■ Main arm at min. length (300mm movement)

