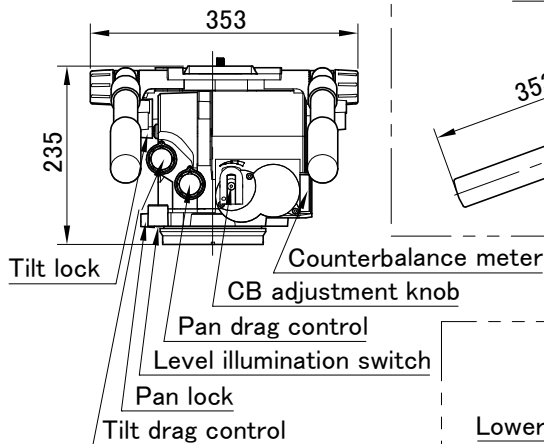
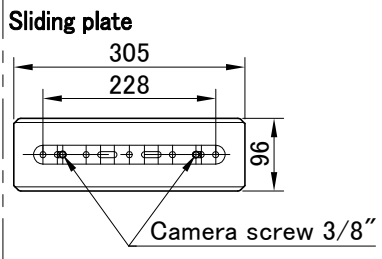


System	QH1 (Head) + P1000 (Pedestal system)		
Payload	40 kg / 88.2 lb	Tilt angle	+90° / -70° (Limited to ±40° with maximum counterbalance)
Weight	39.0 kg / 85.9 lb	Pan angle	360°
Height	Max : 1725 mm / 67.9"	Counterbalance	Range : 15 ~ 35 kg / 33 ~ 77.1 lb (C.G.125 mm)
	Min : 915 mm / 36.0"		System : Continuous
Width	W1 : 1010 mm / 39.8" (※Reference)	Drag mode	7 STEP
	W2 : 982 mm / 38.7" (")	Temperature range	-20 °C ~ +60 °C / -4 °F ~ +140 °F
Column section	2 STAGE	Head attachment	Flat base with 4 bolts
Column stroke	810 mm / 31.9" (Upper : 415 mm / 16.3" , Middle : 395 mm / 15.6")	Camera plate (Sliding range)	Sliding plate ±75 mm / ±2.9"
	Upper column : air pressure	Plate attachment	3/8-16UNC × 2
	Middle column : manual (with gas spring)	Spare screw	3/8-16UNC × 2
Maximum air pressure	0.93 MPa (9.3 bar / 134.9 psi)	Pan handle	PH-15B × 2
Release valve pressure	0.99 MPa (9.9 bar / 143.6 psi)		

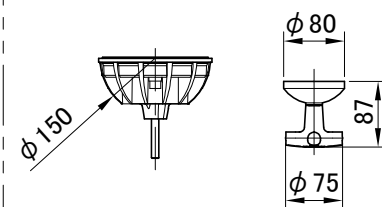
Remarks

■ Exterior Dimensions (mm)

■ QH1



■ Ball base adapter BL-150



※Reference

