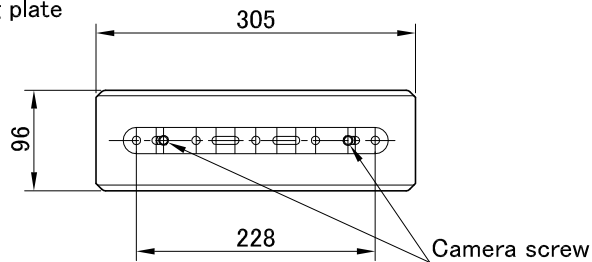


System	QH1s (Head)		
Payload	30 kg / 66 lb	Tilt angle	+90° / -75° (Limited to ±40° with maximum counterbalance)
Weight	Flat base : 12.7 kg / 27.9 lb	Pan angle	360°
	Ball : 13.8 kg / 30.4 lb	Counterbalance	Range : 9 to 25.5 kg / 19.8 to 56.2 lb (C.G. 125 mm) System : Continuous
Camera plate	Sliding plate	Drag mode	7 STEP
(Sliding range)	±75 mm / 2.9"		---
Plate attachment	3/8-16UNC x 2	Temperature range	-20°C to +60°C / -4° F to +140° F
Spare screw	3/8-16UNC x 2	Head attachment	Flat base
Bubble level	---		150mm Ball *BL-150(Ball base adapter)
		Pan handle	PH-15B x 2

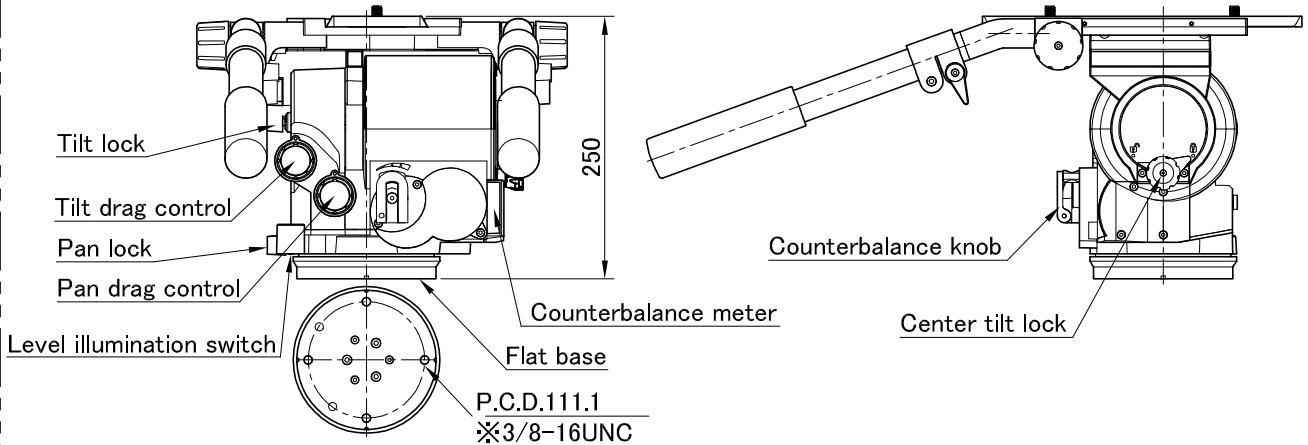
### Remarks

#### ■ Exterior Dimensions (mm)

##### ■ Sliding plate



##### ■ Flat base



##### ■ Ball

