

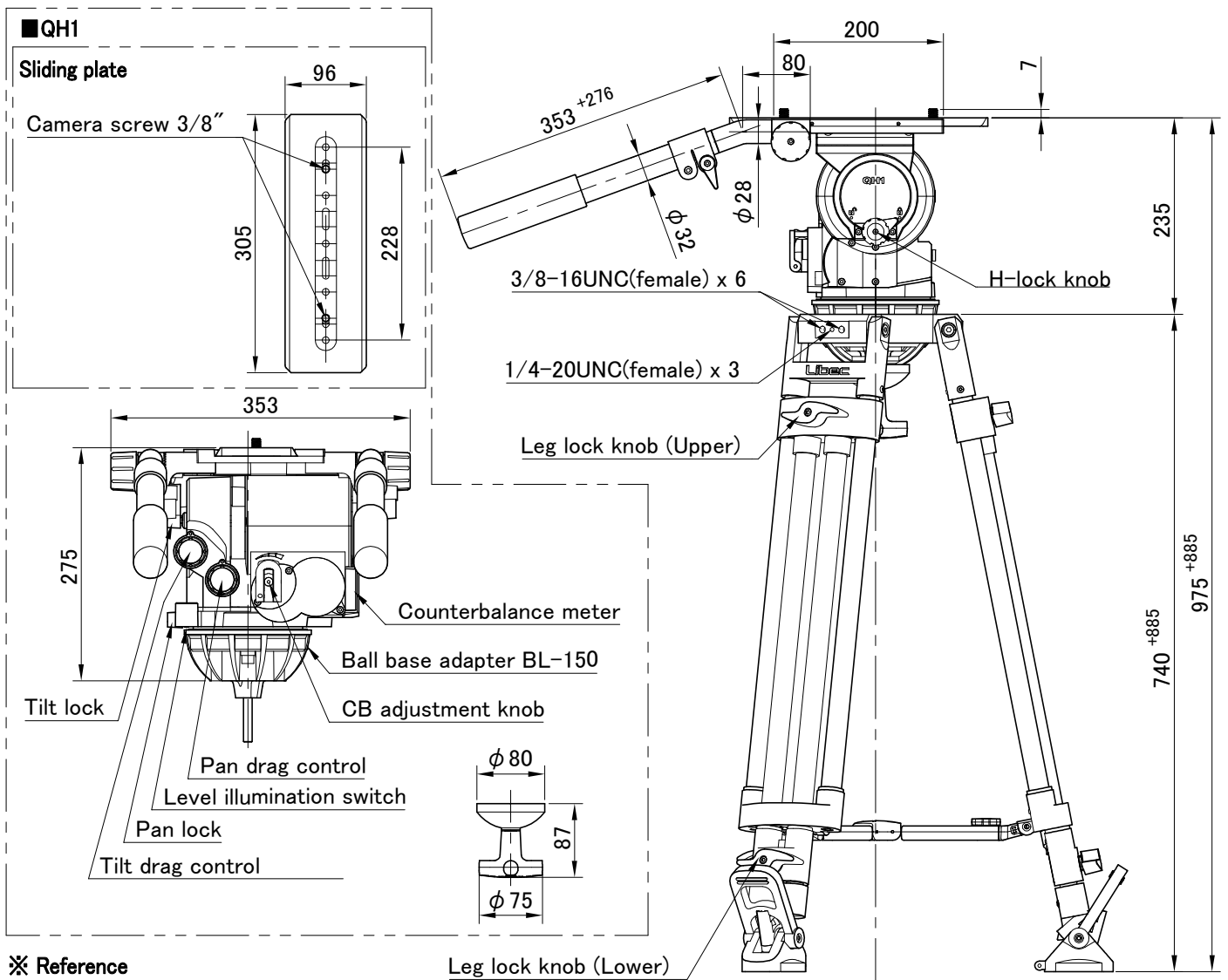
<b>System</b>	QH1 ( Head ) + T150B ( Tripod ) + BR-6B ( Mid-level spreader ) + FP-6B ( Large rubber feet )		
<b>Payload</b>	40 kg / 88.2 lb	<b>Tilt angle</b>	+90° / -70° ( Limited to ±40° with maximum counterbalance )
<b>Weight</b>	21.4 kg / 47.1 lb	<b>Pan angle</b>	360°
<b>Height</b>	① H : 1860 mm W : 685 mm ( ※Reference )	<b>Counterbalance</b>	Range : 15 ~ 35 kg / 33.0 ~ 77.1 lb ( C.G.125 mm )
	② H : 975 mm W : 830 mm ( " )		System : Continuous
<b>Folded length</b>	③ L : 1025 mm ( " )	<b>Drag mode</b>	7 STEP
<b>Camera plate (Sliding range)</b>	Sliding plate	<b>Temperature range</b>	-20 °C ~ +60 °C / -4 °F ~ +140 °F
	±75 mm / ±2.9"	<b>Ball diameter</b>	φ150 mm
<b>Plate attachment</b>	3/8-16UNC × 2	<b>Section</b>	2 STAGE ( Material : Aluminum )
	—	<b>Tripod fixation</b>	Fixing lock knob
<b>Spare screw</b>	3/8-16UNC × 2	<b>Spreader</b>	BR-6B ( Telescopic , Removable )
	—	<b>Pan handle</b>	PH-15B × 2

### Remarks

Outside diameter of pipe

Upper : φ24 / Middle : φ24 / Lower : φ20

### Exterior Dimensions (mm)



※ Reference

