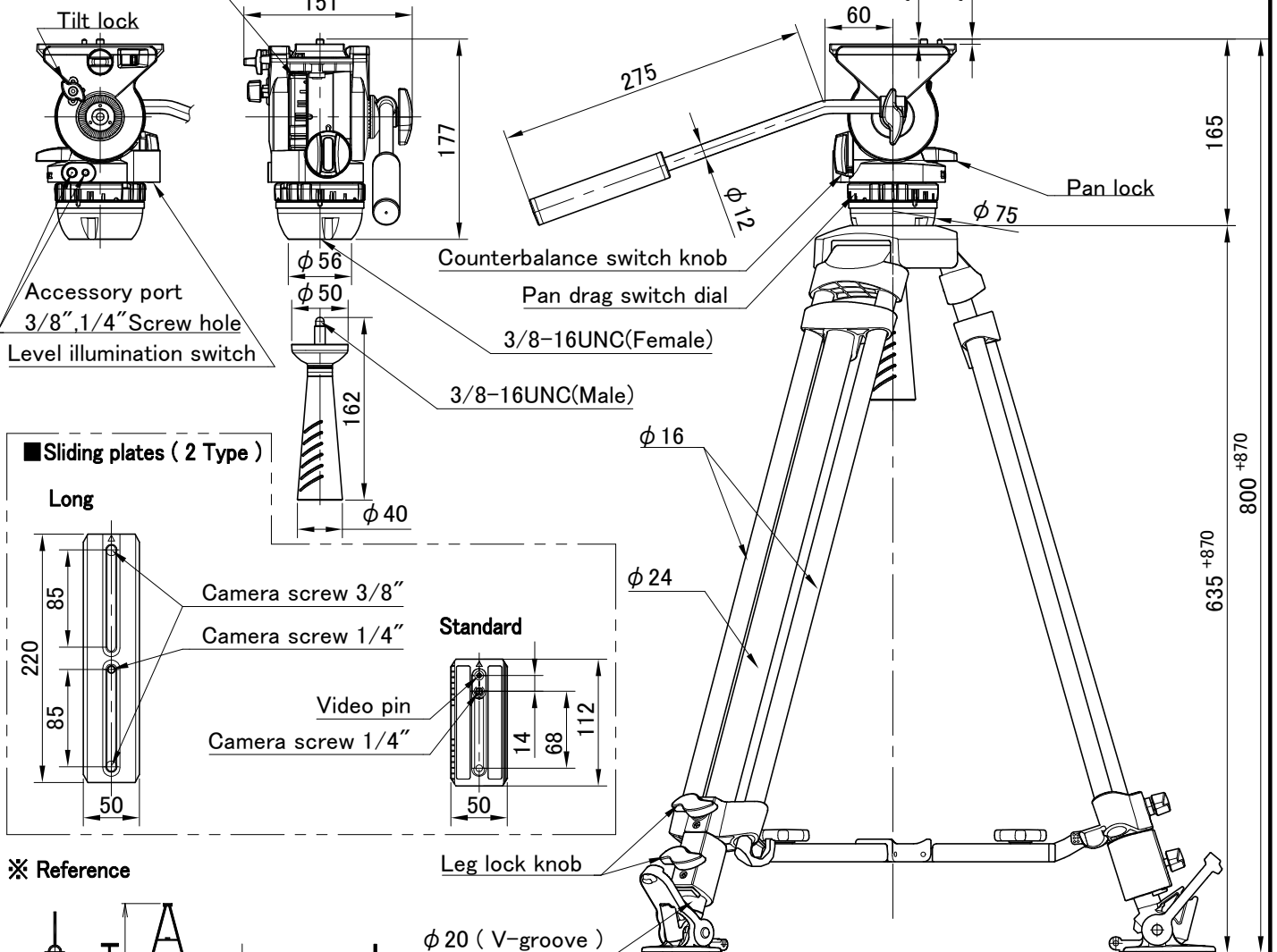


System	NH30 (Head) + RT20C (Tripod) + BR-2B (Mid-level spreader) + FP-1B (Large rubber feet) + RC-20 (Carrying case)		
Payload	10 kg / 22.0 lb	Tilt angle	+90° / -70°
Weight	3.8 kg / 8.3 lb	Pan angle	360°
Height	① H : 1670 mm W : 780 mm (※Reference)	Counterbalance	Loading range : 0 ~ 10 kg / 0 ~ 22 lb (C.G. 55 mm)
	② H : 800 mm W : 575 mm (")		System : 0 + 5 STEP
Folded length	③ L : 835 mm (")	Drag mode	Both tilt and pan 0 + 3 STEP
Camera plate (Sliding range)	2 Sliding plates (Standard + Long)	Drag mechanism	Metal lamination unit
	Compatible with Manfrotto and Sachtler	Head base	Ball 75 mm / Flat base
Plate attachment (Screw sliding range)	Standard : ±30 mm / ±1.2" , Long : ±85 mm / ±3.3"	Accessory port	Left side of head : Screw hole 1/4" × 1 , 3/8" × 1
	Standard : 1/4-20UNC + Video pin	Temperature range	-40 °C ~ +60 °C / -40°F ~ +140°F
Spare screw	Long : 1/4-20UNC × 1 , 3/8-16UNC × 2	Section	2STAGE (Material : Carbon)
	Standard : 68 mm / 2.6" , Long : 85 mm / 3.3"	Tripod fixation	Fixing lock knob
Spare screw	1/4-20UNC × 1 , 3/8-16UNC × 1	Spreader	BR-2B (Telescopic , Removable)
	Equipped on the top of the head (beneath sliding plate)	Pan handle	Dedicated pan handle
		Case material	Nylon , Polyester , TPE , PE , PP , POM

Remarks

■ Exterior Dimensions (mm)

Tilt drag switch dial



※ Reference

