

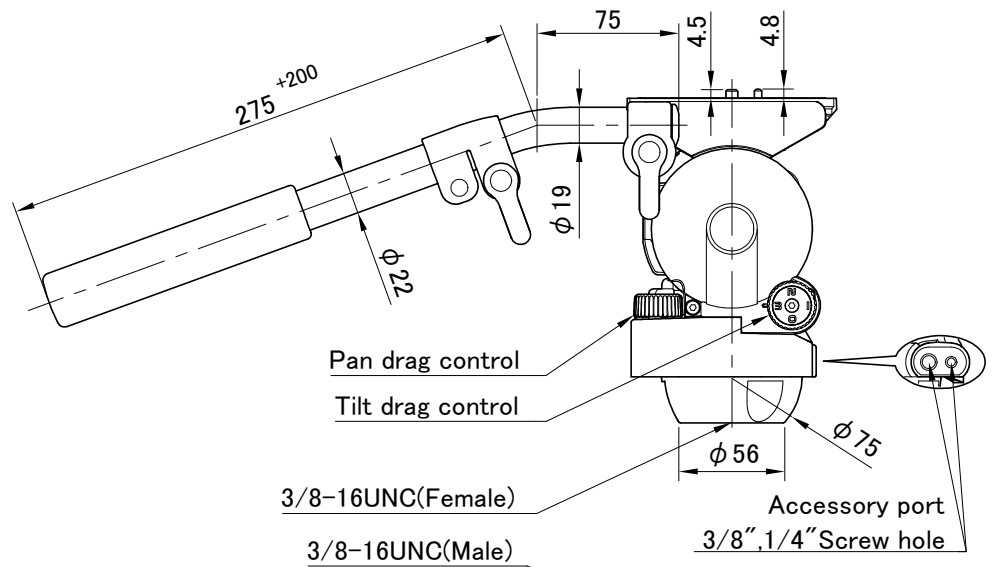
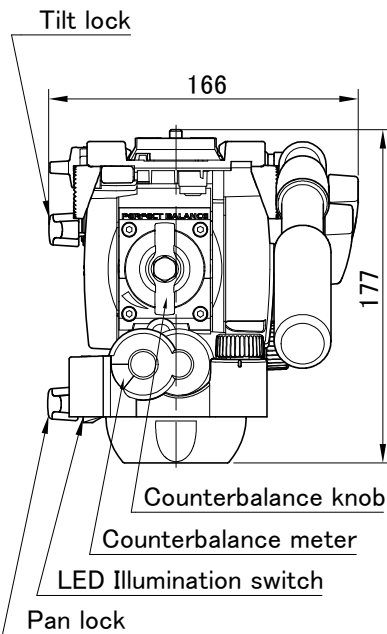
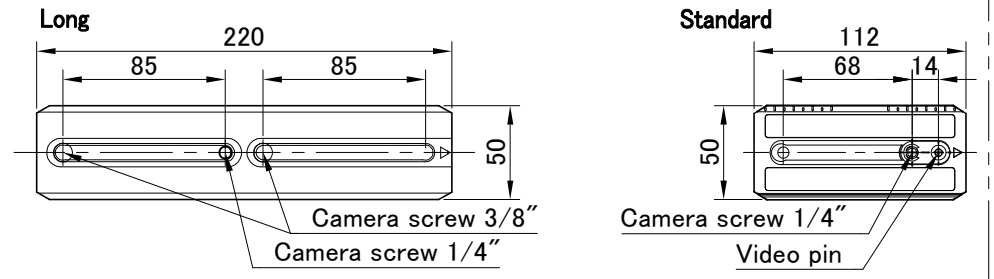
System	H45 (Head)		
Payload	12 kg / 26.5 lb	Tilt angle	+90° / -70° (Limited to ±40° with maximum counterbalance)
Weight	2.8 kg / 6.2 lb	Pan angle	360°
Camera plate (Sliding range)	2 Sliding plates (compatible with Manfrotto and Sachtler)	Counterbalance	Range : 4.5 ~ 10.5 kg / 9.9 ~ 23.1 lb (C.G. 100 mm)
	One touch attach and release mechanism		Perfect Balance
Plate attachment (Screw sliding range)	Standard : ±30 mm / ±1.2" , Long : ±85 mm / ±3.3"	Drag mode	Free plus 3 steps
	Standard : 1/4-20UNC (with video boss)	Drag system	Multilayered Metal Structure
Spare screw	Long : 1/4-20UNC × 1 , 3/8-16UNC × 2	Temperature range	-40 °C ~ +60 °C / -40°F ~ +140°F
	Standard : 68 mm / 2.6" , Long : 85 mm / 3.3"	Head base	Ball 75 mm / Flat base with 3/8" female thread
Bubble level	1/4-20UNC × 1 , 3/8-16UNC × 1	Accessory port	Screw hole 1/4" × 1 , 3/8" × 1
	Equipped on the top of the head (beneath sliding plate)	Pan handle	PH-6B (Telescopic)

Remarks

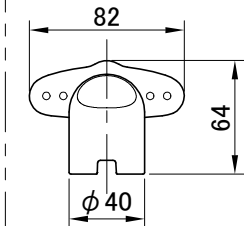
* Includes counter balance auxiliary knob.

Exterior Dimensions (mm)

Sliding plates (2 Type)



Counterbalance support knob



※Allows smooth turning of the Counterbalance knob.

