

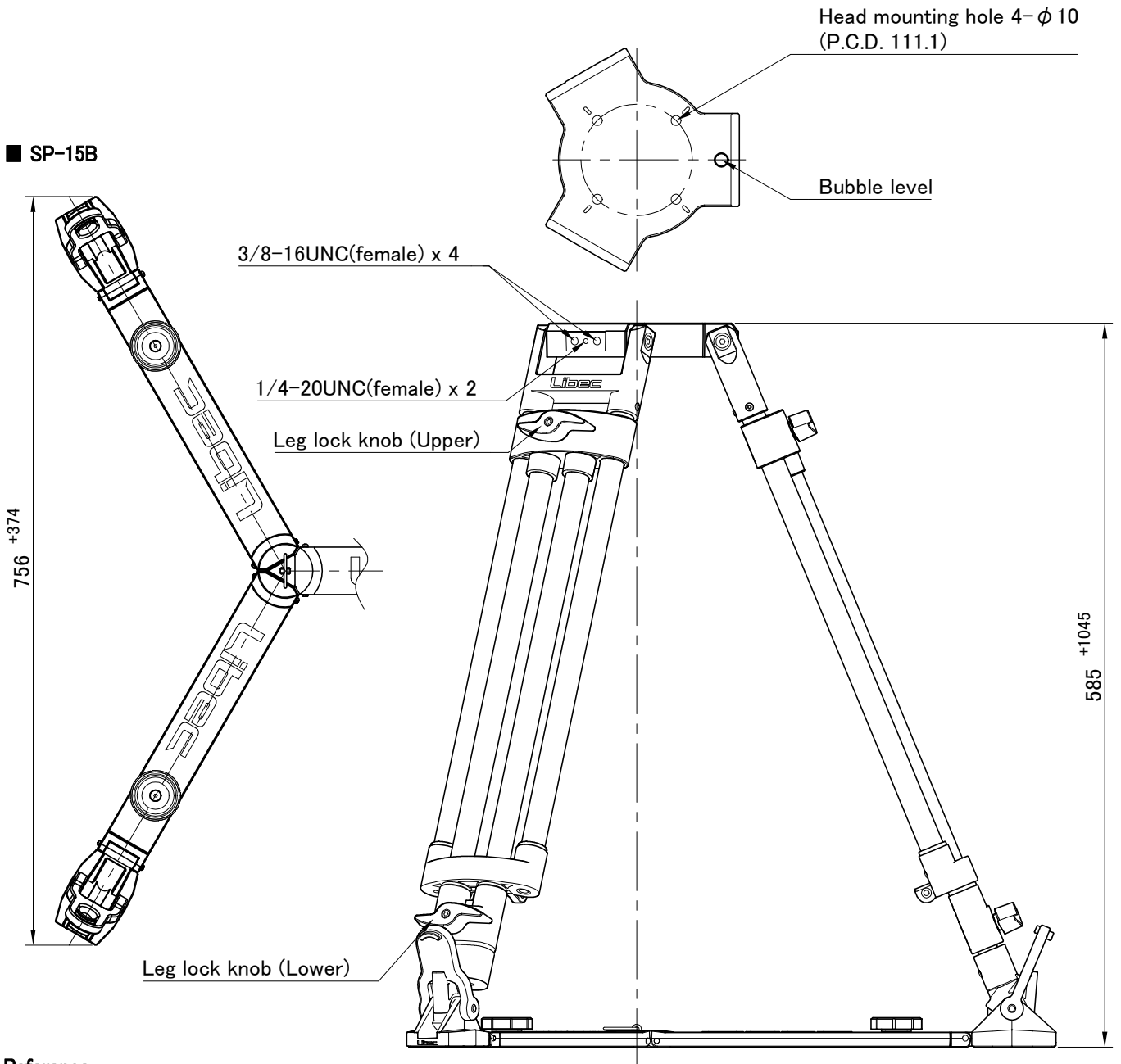
System	T150F (Tripod) + SP-15B (Floor spreader)		
Payload	100 kg / 220.4 lb	Head attachment	Flat base
Weight	9.4 kg / 20.7 lb	Section	2 STAGE
Height	① H : 1630 mm W : 756 mm (※Reference)	Tripod fixation	Fixing lock knob
	② H : 585 mm W : 1130 mm (")	Spreader	SP-15B (Telescopic , Removable)
Folded length	③ L : 790 mm (")	Material	Aluminum pipe , Aluminum alloy, Engineering plastic

Remarks

Outside diameter of pipe

Upper : $\phi 24$ / Middle : $\phi 24$ / Lower : $\phi 20$

■ Exterior Dimensions (mm)



※ Reference

