

System	T150C (Tripod) + BR-6B (Mid-level spreader) + FP-6B (Large rubber feet)		
Payload	100 kg / 220.4 lb	Ball diameter	∅150 mm
Weight	6.6 kg / 14.5 lb	Section	2-Stage
Operating Dimensions	① H : 1625 mm W : 685 mm (※Reference)	Tripod fixation	Fixing lock knob
	② H : 740 mm W : 830 mm (")	Spreader	BR-6B (Telescopic , Removable)
Folded length	③ L : 790 mm (")	Material	Carbon pipe , Aluminum alloy , Engineering plastic

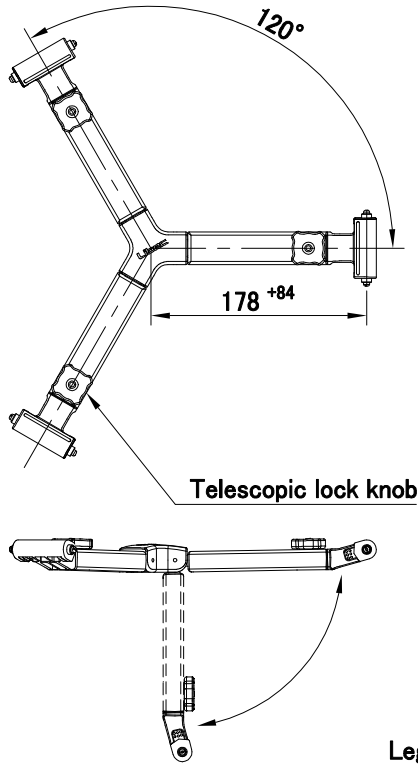
Remarks

Outside diameter of pipe

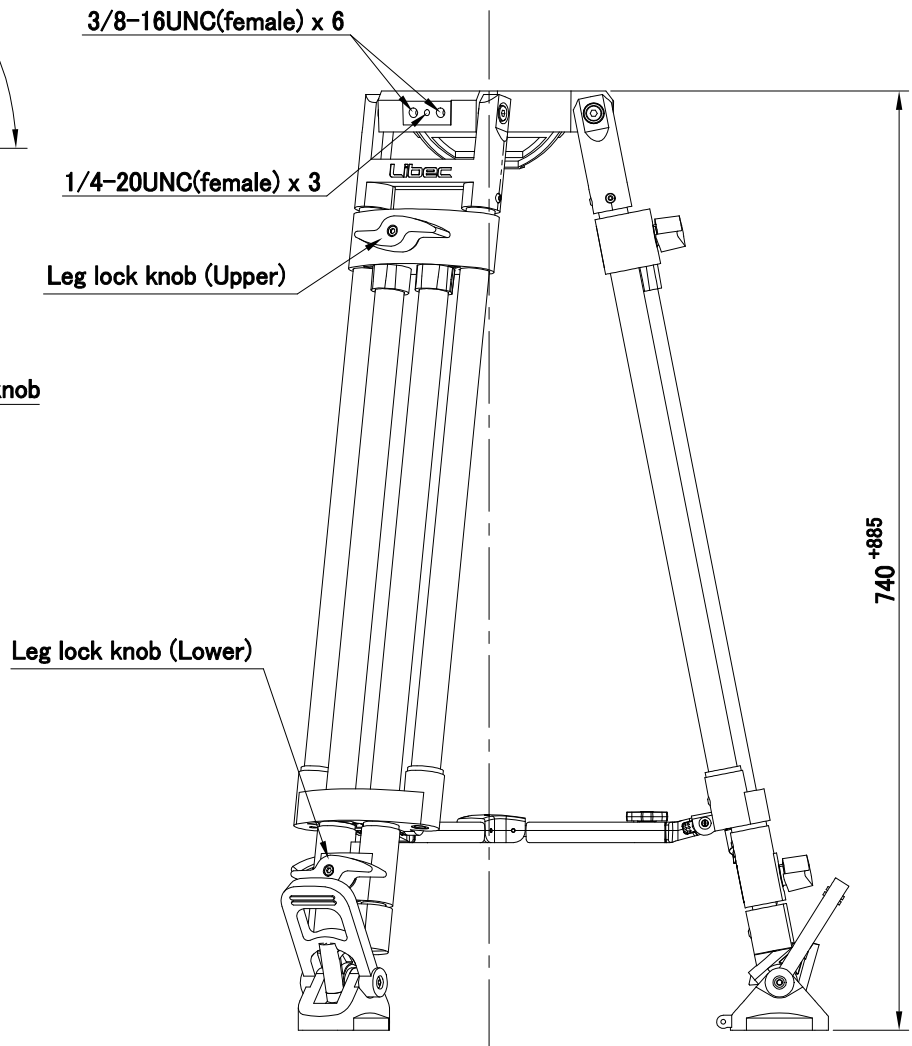
Upper : ∅24 / Middle : ∅24 / Lower : ∅20

■ Exterior Dimensions (mm)

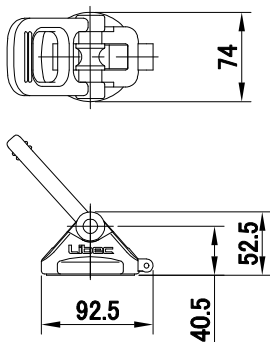
■ BR-6B



■ T150C



■ FP-6B



※Reference

