

System	T103RB (Tripod) + BR-6B (Mid-level spreader) + FP-6B (Large rubber feet)		
Payload	90 kg / 198.4 lb	Ball diameter	φ100 mm
Weight	7.7 kg / 16.9 lb	Section	2 STAGE
Height	① H: 1740 mm W: 860 mm (※Reference)	Tripod fixation	Fixing lock knob
	② H: 799 mm W: 685 mm (")	Spreader	BR-6B (Telescopic , Removable)
Folded length	③ L: 850 mm (")	Material	Aluminum pipe , Aluminum alloy , Engineering plastic

Remarks

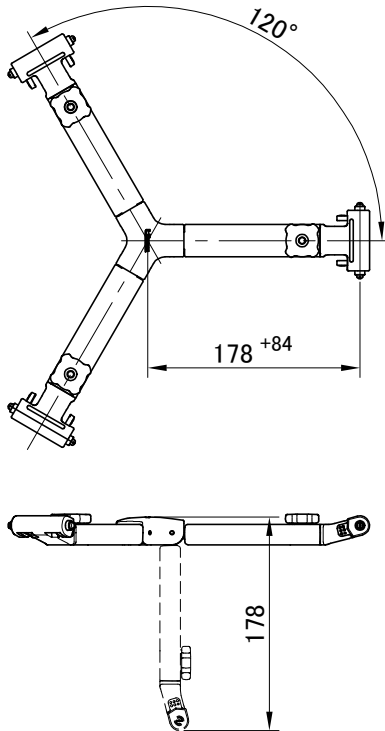
Outside diameter of pipe

Upper : φ24 / Middle : φ24 / Lower : φ20

■ Exterior Dimensions (mm)

■ BR-6B

■ T103RB

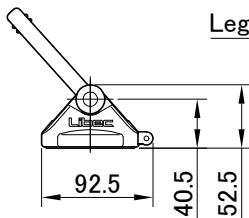
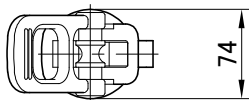


3/8-16UNC(female) x 6

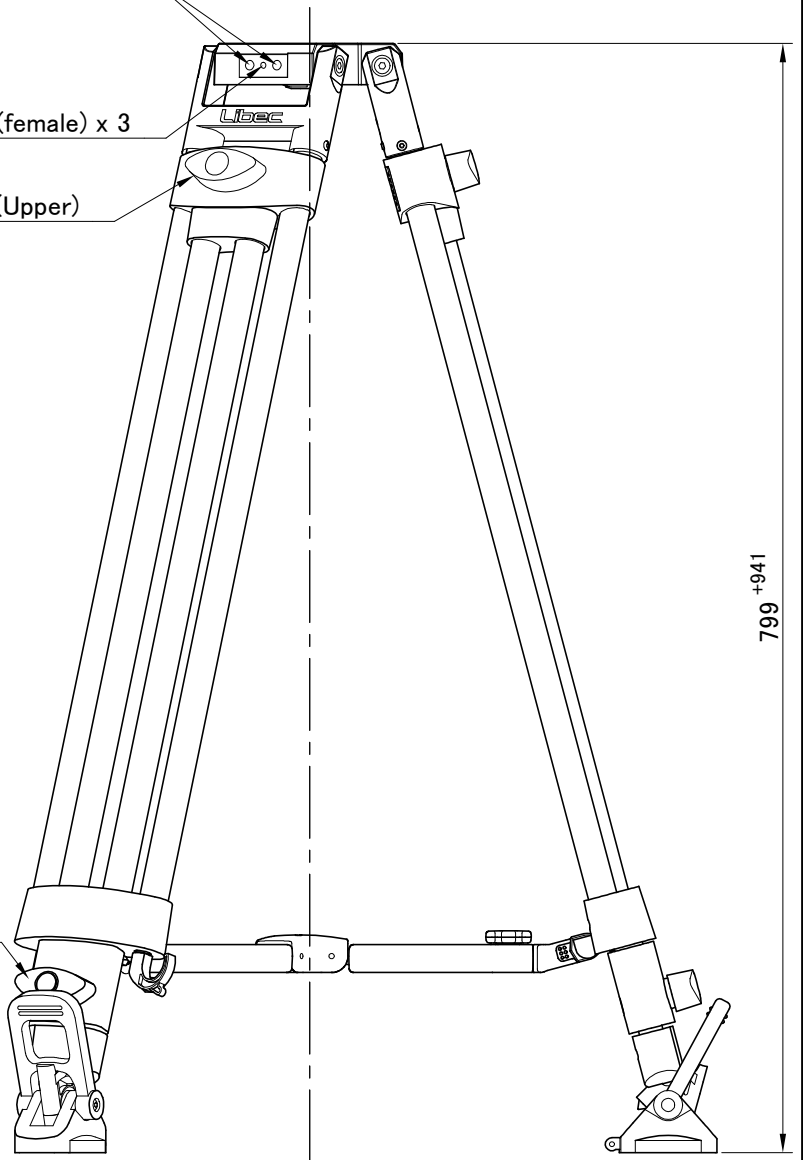
1/4-20UNC(female) x 3

Leg lock knob (Upper)

■ FP-6B



Leg lock knob (Lower)



※ Reference

