

System	T103C (Tripod) + SP-6B (Floor spreader)		
Payload	90 kg / 198 lb	Ball diameter	φ 100 mm
Weight	6.5 kg / 14.3 lb	Section	2STAGE
Height	① H : 1740 mm W : 730 mm (※Reference)	Tripod fixation	Fixing lock knob
	② H : 620 mm W : 1130 mm (")	Spreader	SP-6B (Telescopic, Removable)
Folded length	③ L : 835 mm (")	Material	Carbon pipe, Aluminum alloy, Engineering plastic

Remarks

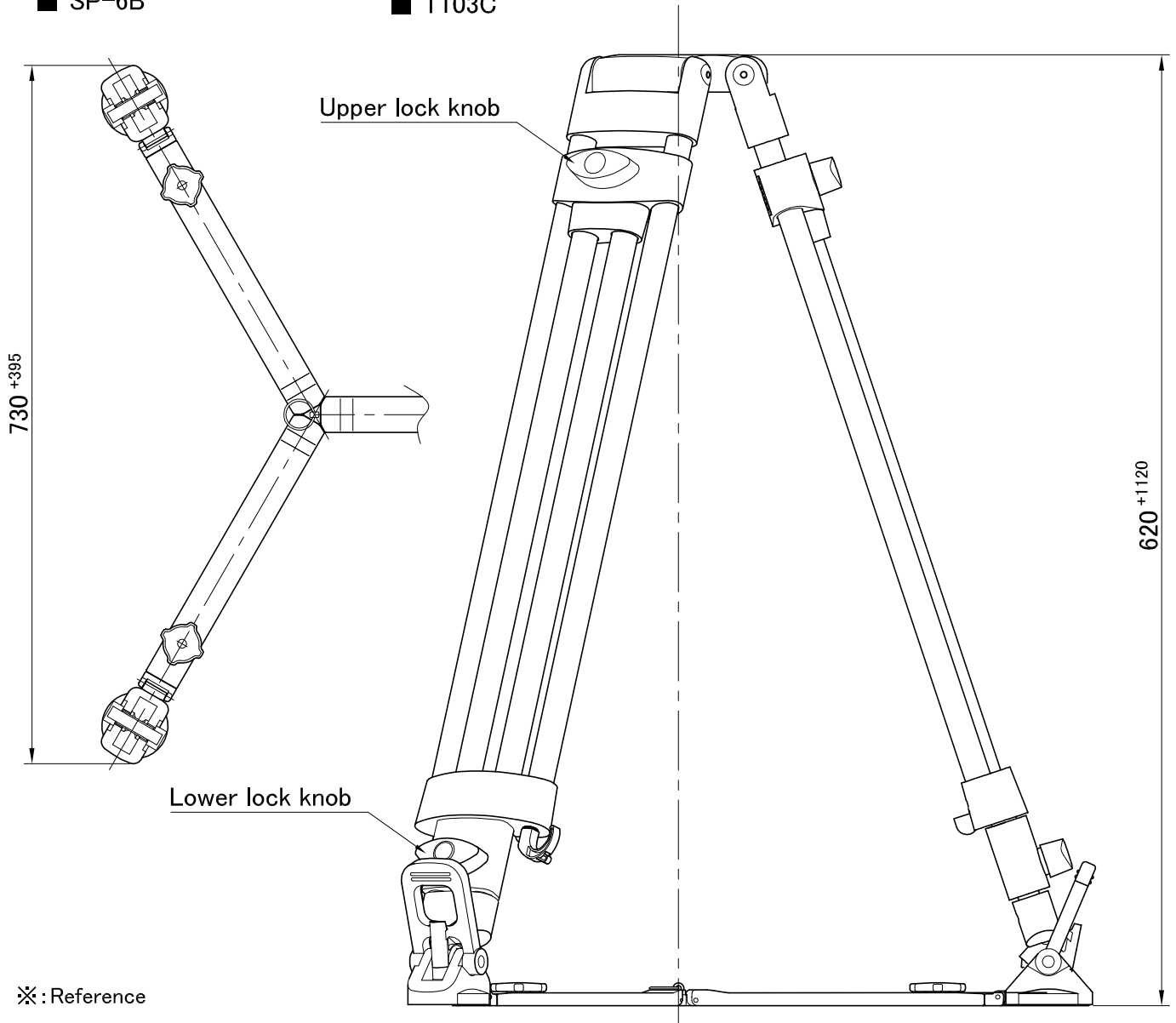
Outside diameter of pipe

Upper: φ 24 / Middle: φ 24 / Lower : φ 20

■ Exterior Dimensions (mm)

■ SP-6B

■ T103C



※: Reference

