

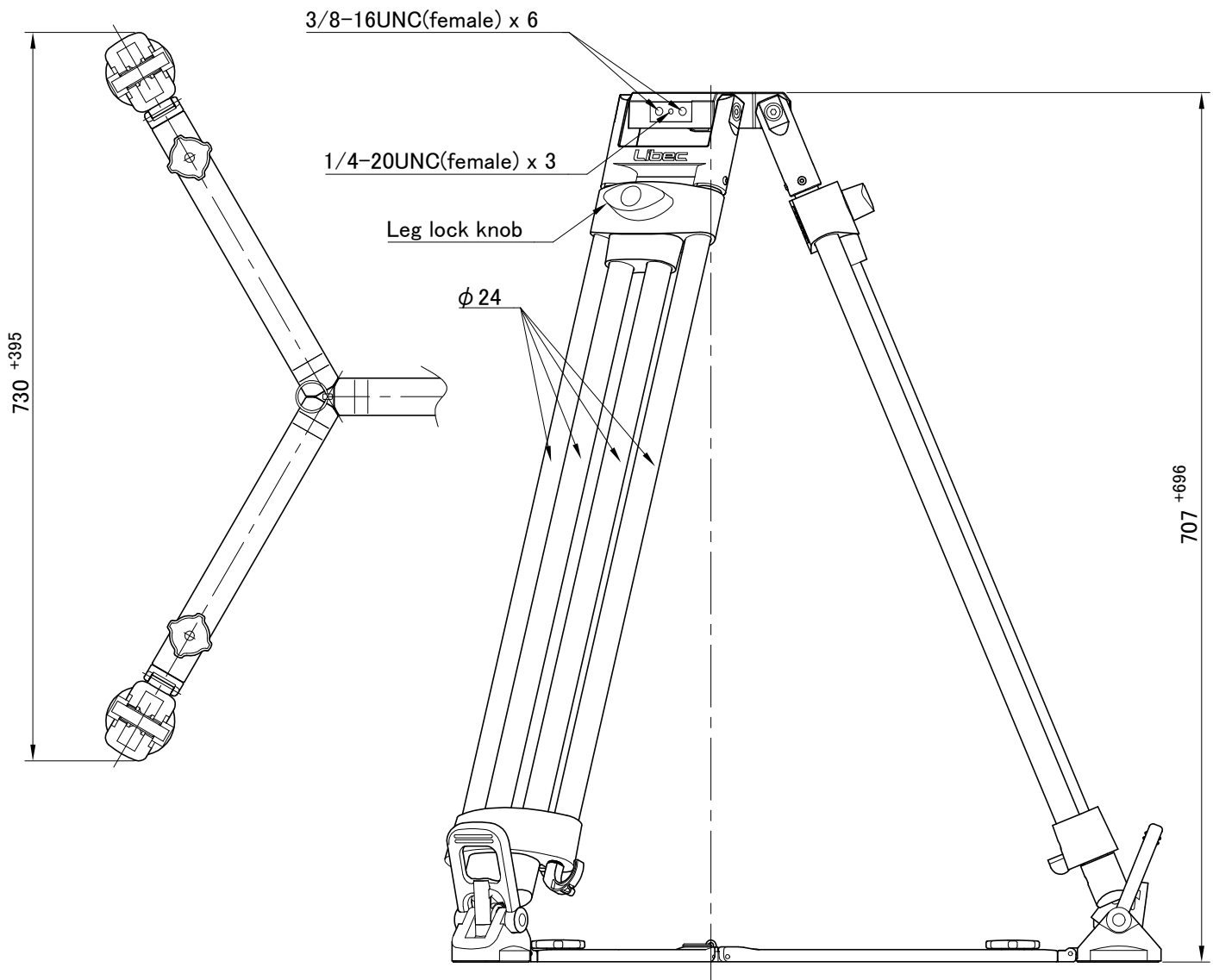
System	T102RB (Tripod) + SP-6B (Floor spreader)		
Payload	90 kg / 198.4 lb	Ball diameter	φ 100 mm
Weight	6.9 kg / 15.2 lb	Section	1 STAGE
Height	① H : 1403 mm W : 730 mm (※Reference)	Tripod fixation	Fixing lock knob
	② H : 707 mm W : 1125 mm (")	Spreader	SP-6B (Telescopic , Removable)
Folded length	③ L : 897 mm (")	Material	Aluminum pipe , Aluminum alloy , Engineering plastic

Remarks

■ Exterior Dimensions (mm)

■ SP-6B

■ T102RB



※ Reference

