

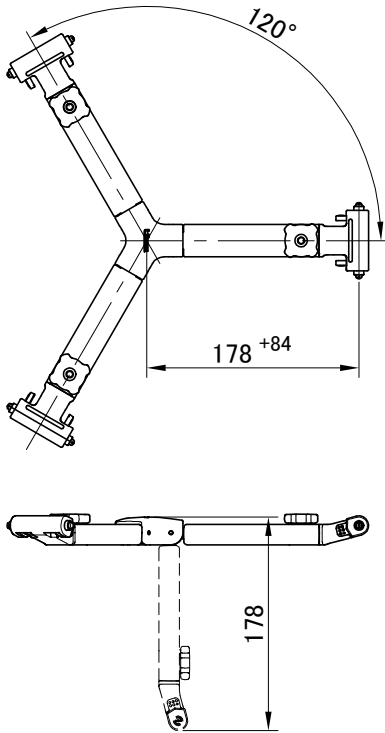
System	T102RB (Tripod) + BR-6B (Mid-level spreader) + FP-6B (Large rubber feet)		
Payload	90 kg / 198.4 lb	Ball diameter	φ100 mm
Weight	6.7 kg / 14.7 lb	Section	1 STAGE
Height	① H : 1415 mm W : 655 mm (※Reference)	Tripod fixation	Fixing lock knob
	② H : 859 mm W : 636 mm (")	Spreader	BR-6B (Telescopic , Removable)
Folded length	③ L : 897 mm (")	Material	Aluminum pipe , Aluminum alloy , Engineering plastic

Remarks

■ Exterior Dimensions (mm)

■ BR-6B

■ T102RB



3/8-16UNC(female) x 6

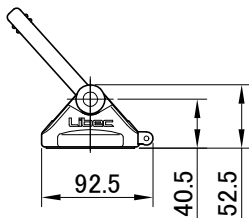
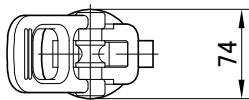
1/4-20UNC(female) x 3

Leg lock knob

φ24

859 +556

■ FP-6B



※ Reference

