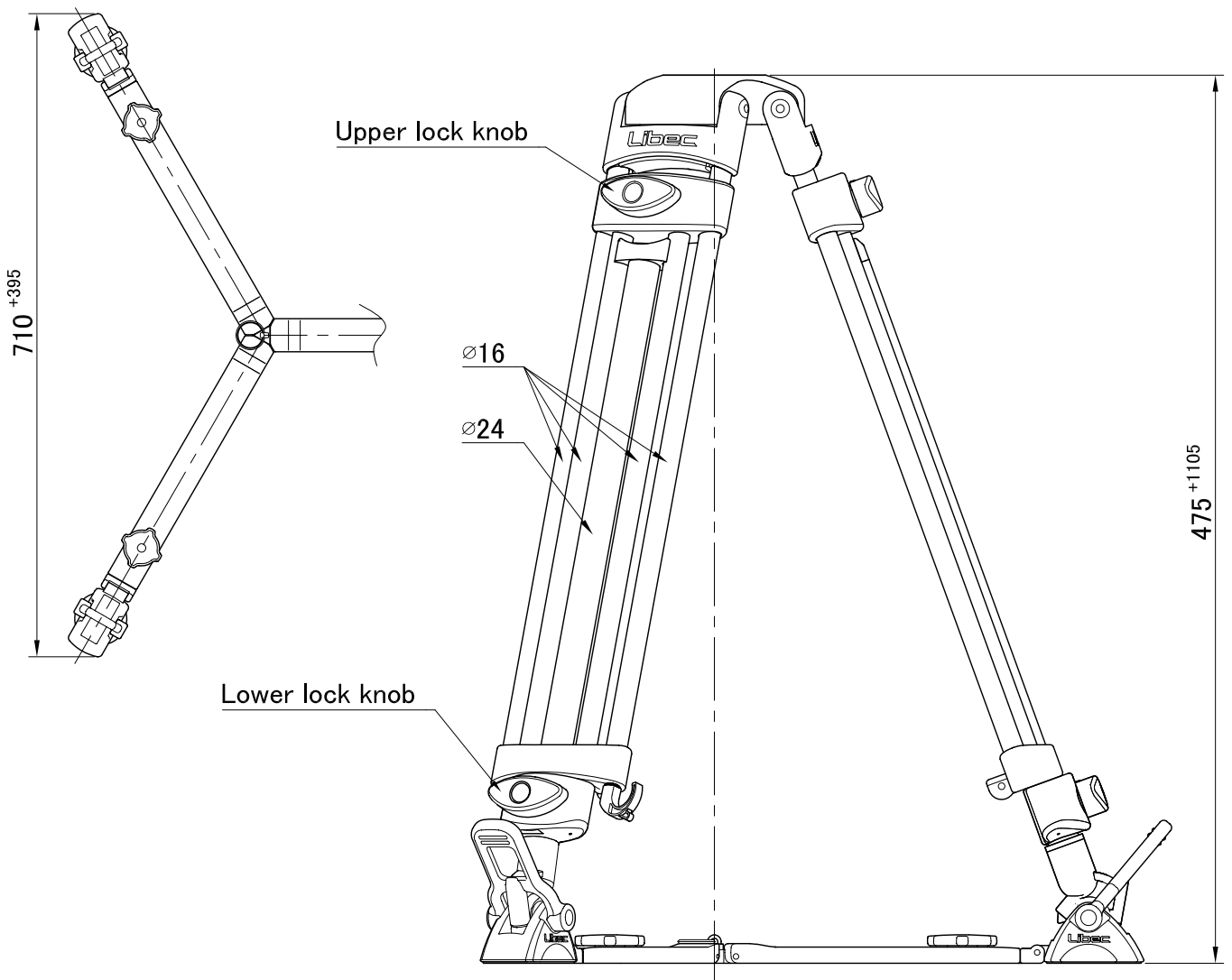


System	RT50B ( Tripod ) + SP-2B ( Floor spreader )		
Payload	35 kg / 77 lb	Ball diameter	∅100 mm
Weight	4 kg / 8.8 lb	Section	2STAGE
Height	① H: 1580 mm W: 710 mm ( ※Reference )	Tripod fixation	Fixing lock knob
	② H: 475 mm W: 1110 mm ( " )	Spreader	SP-2B
Folded length	③ L: 740 mm ( " )	Material	Aluminum pipe , Aluminum alloy, Engineering plastic

### Remarks

### ■ Exterior Dimensions (mm)

#### ■ SP-2B



※Reference

