

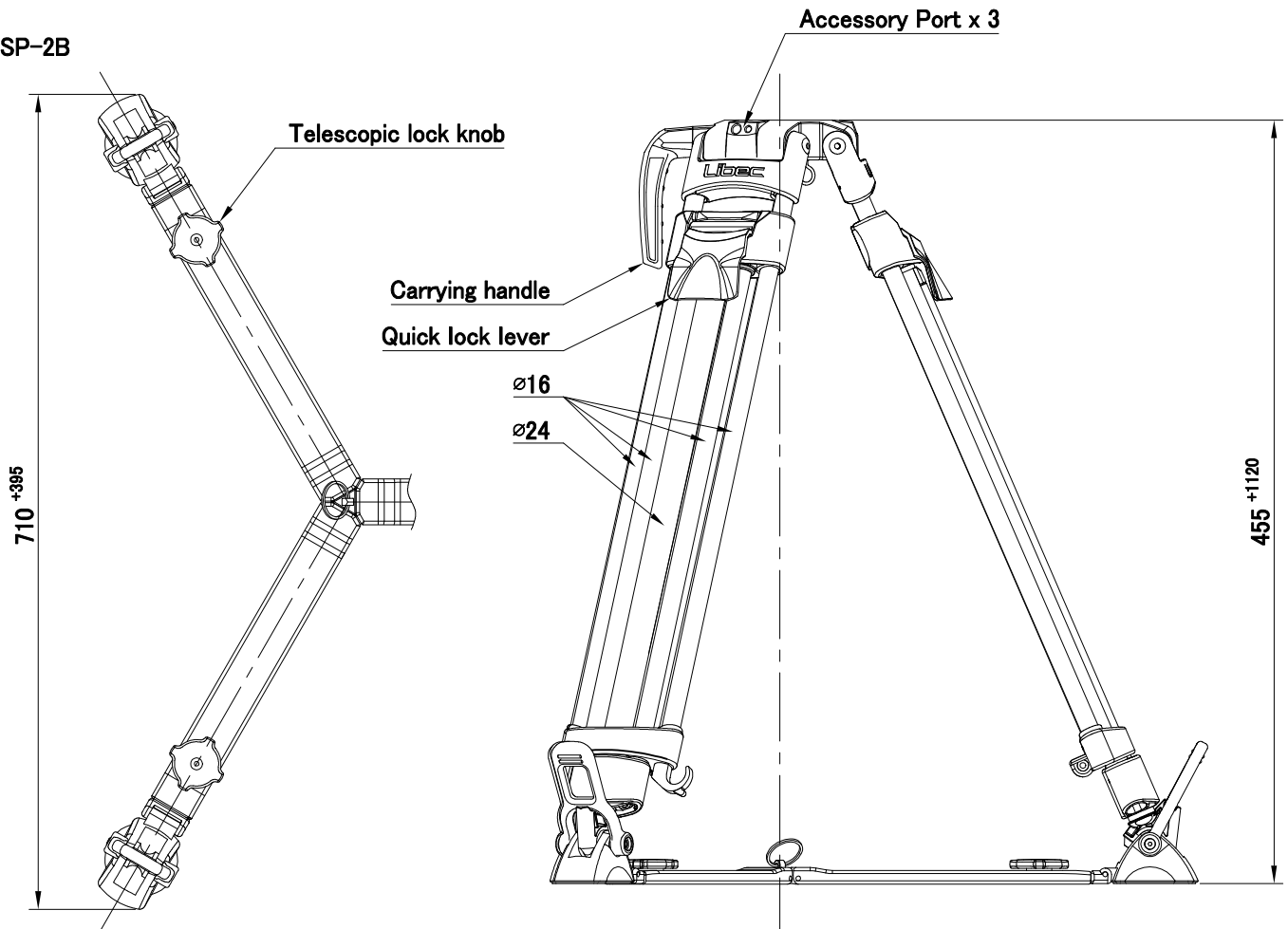
System	QL60C (Tripod) + SP-2B (Floor spreader)		
Payload	60 kg / 132 lb	Ball diameter	∅100 mm
Weight	3.6 kg / 7.9 lb	Carrying handle	Included
Operating Dimensions	① H : 1575 mm W : 710 mm (※Reference)	Leg pipe	Carbon pipe , 2-Stage
	② H : 455 mm W : 1100 mm (")	Leg lock system	Flip lock
Folded length	③ L : 720 mm (")	Spreader	SP-2B (Telescopic , Removable)
Accessory port	1/4" and 3/8" screw holes (3 sets)	Material	Aluminum alloy , Engineering plastic

Remarks

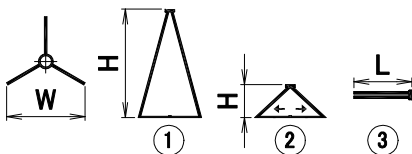
* Includes adjustment tool.

■ Exterior Dimensions (mm)

■ SP-2B



※Reference



■ Adjustment tool

