

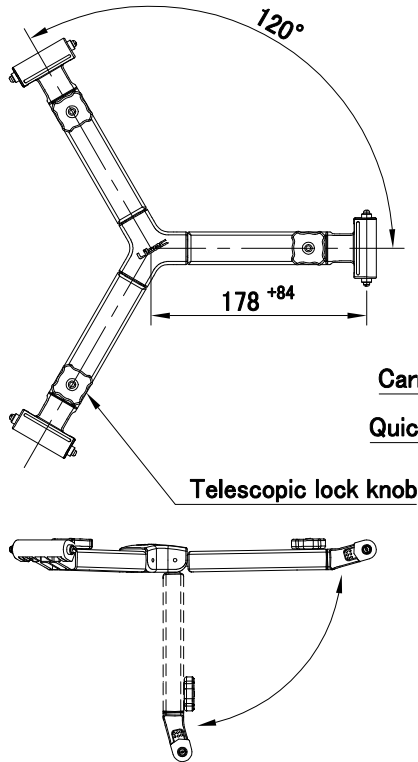
System	QL60C (Tripod) + BR-6B (Mid-level spreader) + FP-2B (Large rubber feet)		
Payload	60 kg / 132 lb	Ball diameter	∅100 mm
Weight	3.4 kg / 7.5 lb	Carrying handle	Included
Operating Dimensions	① H : 1560 mm W : 860 mm (※Reference)	Leg pipe	Carbon pipe , 2-Stage
	② H : 665 mm W : 645 mm (")	Leg lock system	Flip lock
Folded length	③ L : 720 mm (")	Spreader	BR-6B (Telescopic , Removable)
Accessory port	1/4" and 3/8" screw holes (3 sets)	Material	Aluminum alloy , Engineering plastic

Remarks

* Includes adjustment tool.

■ Exterior Dimensions (mm)

■ BR-6B



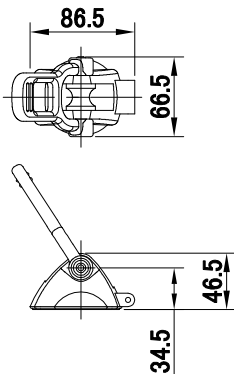
Carrying handle
Quick lock lever

∅16
∅24

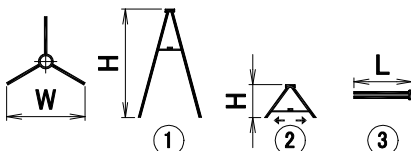
Accessory Port x 3

665 +895

■ FP-2B



※Reference



■ Adjustment tool

Across flats 5.5 (socket)

