

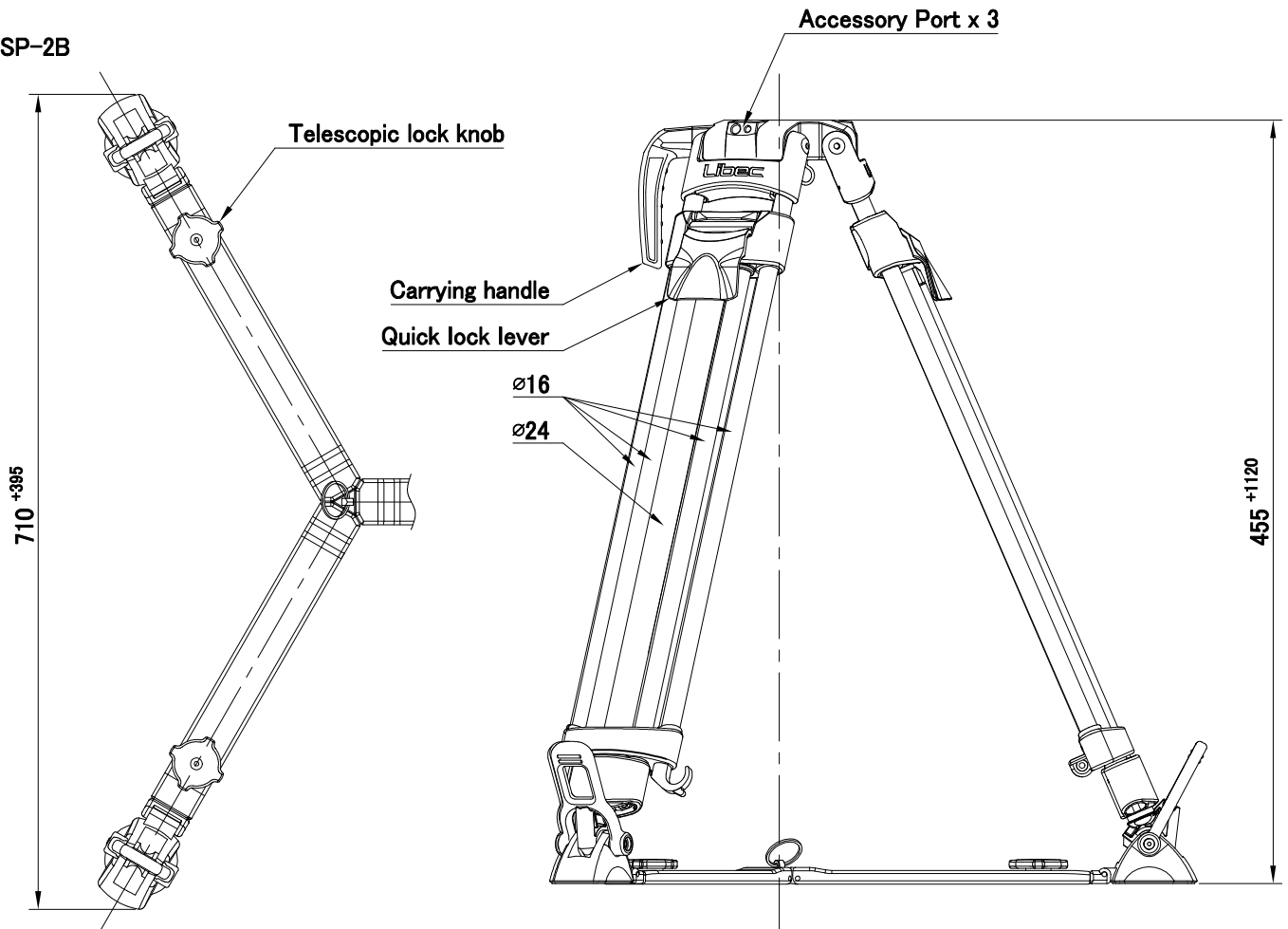
System	QL60B (Tripod) + SP-2B (Floor spreader)		
Payload	60 kg / 132 lb	Ball diameter	∅100 mm
Weight	4.1 kg / 9 lb	Carrying handle	Included
Operating Dimensions	① H : 1575 mm W : 710 mm (※Reference)	Leg pipe	Aluminum pipe , 2-Stage
	② H : 455 mm W : 1100 mm ( " )	Leg lock system	Flip lock
Folded length	③ L : 720 mm ( " )	Spreader	SP-2B (Telescopic , Removable)
Accessory port	1/4" and 3/8" screw holes (3 sets)	Material	Aluminum alloy , Engineering plastic

### Remarks

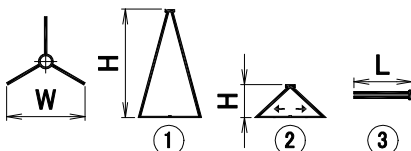
\* Includes adjustment tool.

### ■ Exterior Dimensions (mm)

#### ■ SP-2B



#### ※Reference



#### ■ Adjustment tool

