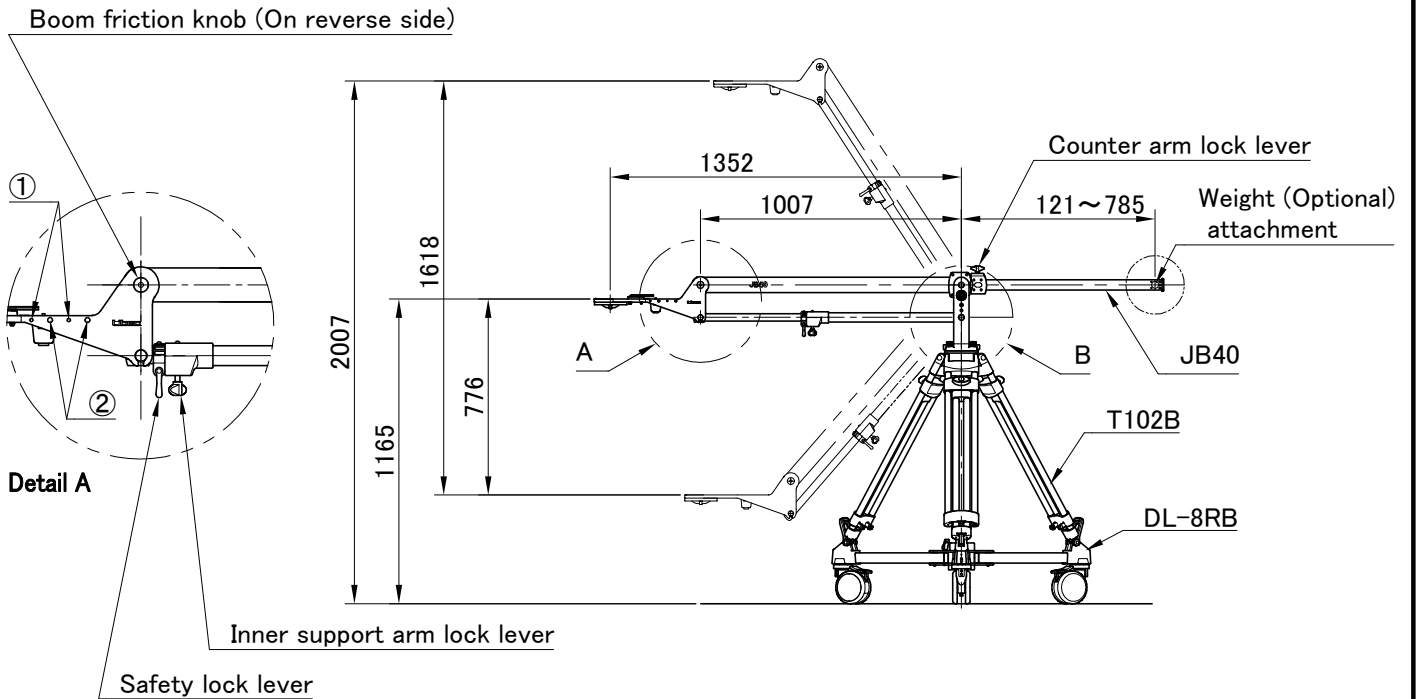


System	JB40 (Jib arm) + T102B (Tripod) + DL-8RB (Dolly)		
Payload	20 kg / 44.0 lb (Main arm length : 1000 mm / 39.5")	Camera internal thread	① 1/4-20UNC (On both side)
	30 kg / 66.1 lb (Main arm length : 630 mm / 24.8")		② 3/8-16UNC (On both side)
Weight	25.6 kg / 56.4 lb (Excluding weight kit)	Boom friction	Continuous adjustable
Head attachment	φ 100 mm , φ 75 mm (Adapter)	Pan friction	Continuous adjustable
Tripod attachment	φ 100 mm	Main arm length	630 ~ 1000 mm / 24.8 ~ 39.5"

Remarks

■ Exterior Dimensions (mm)

■ Main arm at max. length



■ Main arm at min. length

