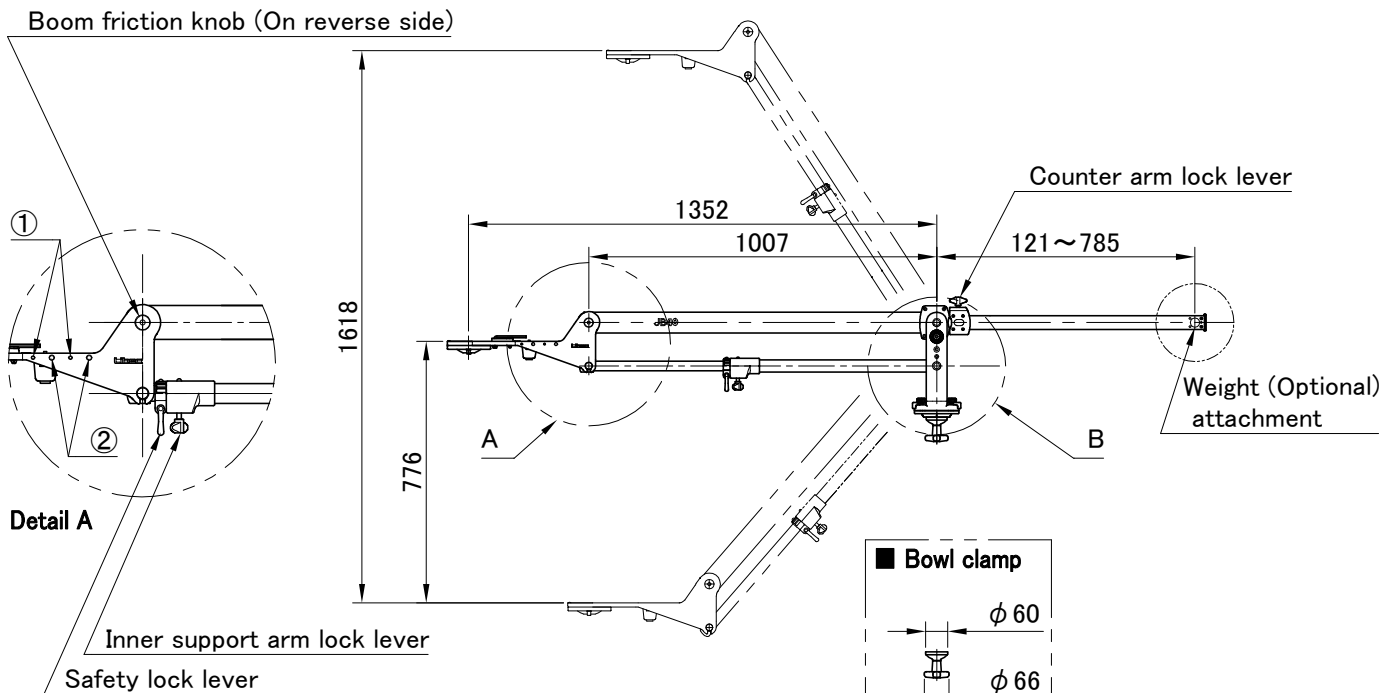


System	JB40 (Jib arm)		
Payload	20 kg / 44.0 lb (Main arm length : 1000 mm / 39.5")	Boom friction	Continuous adjustable
	30 kg / 66.1 lb (Main arm length : 630 mm / 24.8")	Pan friction	Continuous adjustable
Weight	Body : 10.3 kg / 22.7 lb	Accessories	Threaded Weight shaft x 1
	Weight shaft / nut : 1.6 kg / 3.5 lb		Weight fixing nut x 2
Head attachment	φ 100 mm , φ 75 mm (Adapter)		φ 75mm adapter x 1
Tripod attachment	φ 100 mm		Carrying case x 1
Camera internal thread	① 1/4-20UNC (On both side)		Fine tuning weight 1 kg x 1
	② 3/8-16UNC (On both side)		Hex key wrench x1
Main arm length	630 ~ 1000 mm / 24.8 ~ 39.5"	Case dimensions	1250 x 350 x 200 mm / 49.2 x 13.8 x 7.9"

Remarks

■ Exterior Dimensions (mm)

■ Main arm at max. length



■ Main arm at min. length

