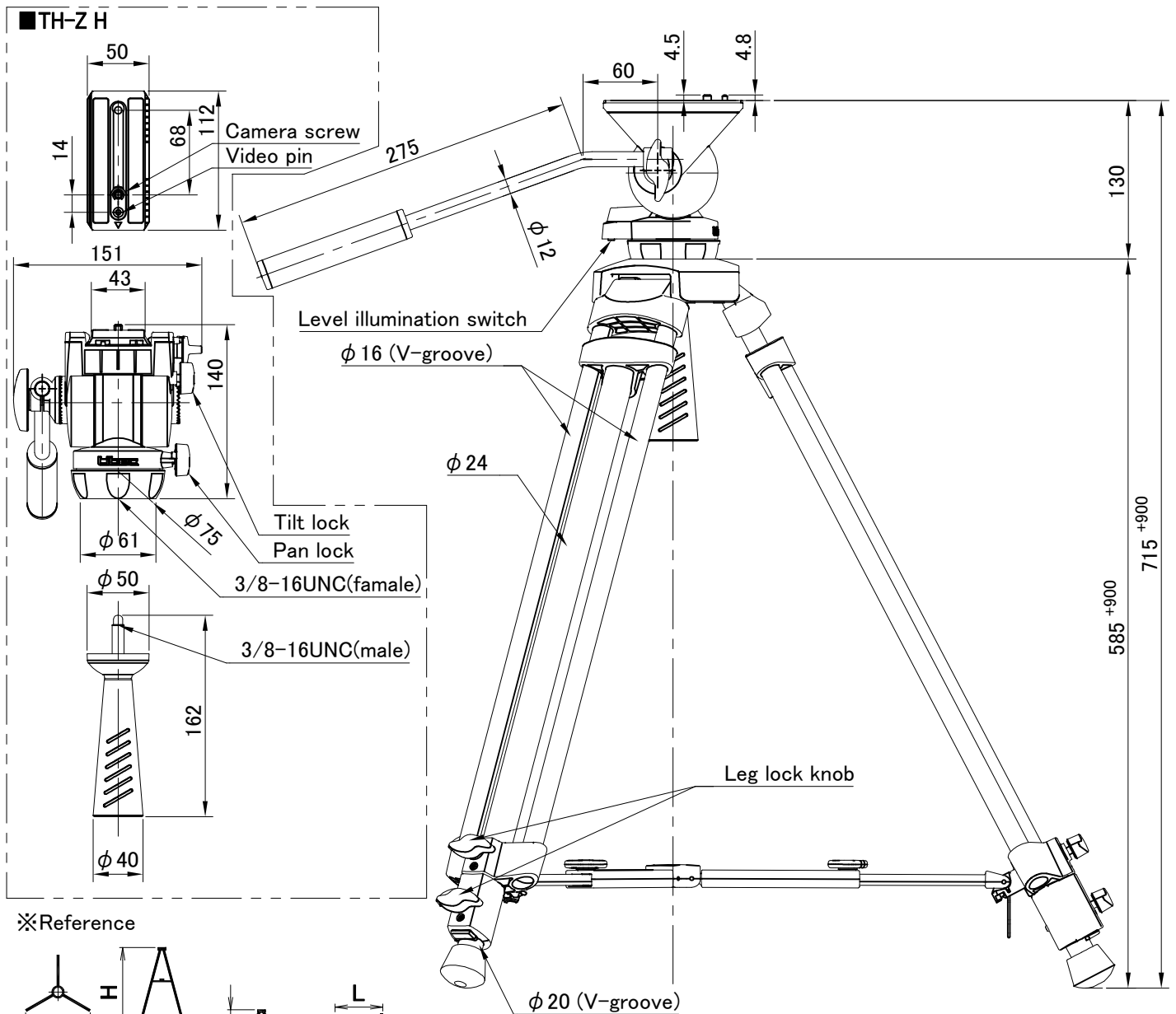


System	TH-Z H ( Head ) + TH-Z T ( Tripod ) + RC-10 ( Carrying case )		
Payload	5 kg / 11 lb	Tilt angle	+90° / -80°
Weight	3.4 kg / 7.5 lb	Pan angle	360°
Height	① H : 1615 mm W : 835 mm ( ※ Reference )	Counterbalance	FIX
	② H : 715 mm W : 620 mm ( " )		---
Folded length	③ L : 785 mm ( " )	Drag mode	FIX
Camera plate (Sliding range)	Sliding plate	Head base	Ball $\phi$ 75 mm / Flat base with 3/8" female thread
	$\pm 30$ mm / $\pm 1.2$ "	Section	2 STAGE ( Material : Aluminum )
Plate attachment (Screw sliding range)	1/4-20UNC screw with video pin	Tripod fixation	Fixing lock knob
	68 mm / 2.7"	Spreader	Mid-level spreader ( Telescopic ) * Unremovable
Spare screw	None	Pan handle	Unique pan handle ( Non-telescopic )
	---	Case material	Nylon, Polyester, TPE, PE, PP, POM

### Remarks

### ■ Exterior Dimensions (mm)

#### ■ TH-Z H



※Reference

