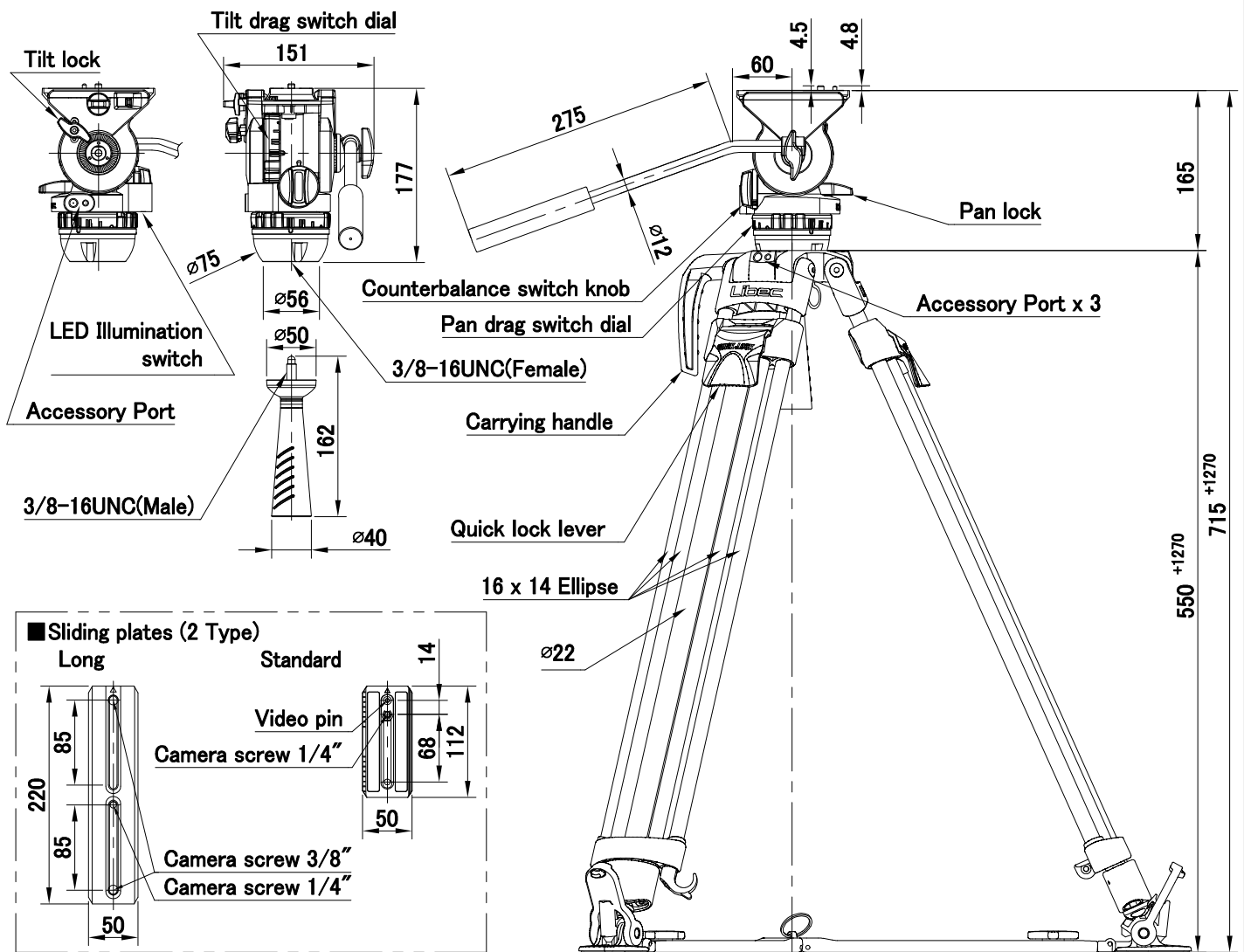


System	NH30 (Head) + QL40B (Tripod) + SP-1B (Floor spreader) + RC-40 (Carrying case)		
Payload	10 kg / 22.0 lb	Drag mode	Free plus 3 steps
Weight	5.2 kg / 11.4 lb	Temperature range	-40 °C ~ +60 °C / -40 °F ~ 140 °F
Operating Dimensions	① H : 1985 mm W : 710 mm (※Reference)	Accessory port	1/4" and 3/8" screw holes (Head : 1set , Tripod : 3sets)
	② H : 715 mm W : 1090 mm (")	Head base	Ball 75 mm
Folded length	③ L : 945 mm (")	Carrying handle	Included
Camera plate	Sliding plate (compatible with Manfrotto and Sachtler)	Leg pipe	Aluminum pipe , 2-Stage
	One touch attach and release mechanism	Leg lock system	Flip lock
Counterbalance	Range : 0 ~ 10 kg / 0 ~ 22.0 lb (C.G. 55 mm)	Spreader	SP-1B (Telescopic , Removable)
	Free plus 5 steps	Case material	Nylon , Polyester , TPE , PE , PP , POM
Tilt angle	+90° / -70°		

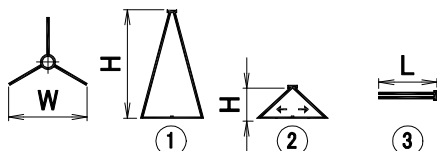
Remarks

* Includes adjustment tool.

■ Exterior Dimensions (mm)



※ Reference



■ Adjustment tool

