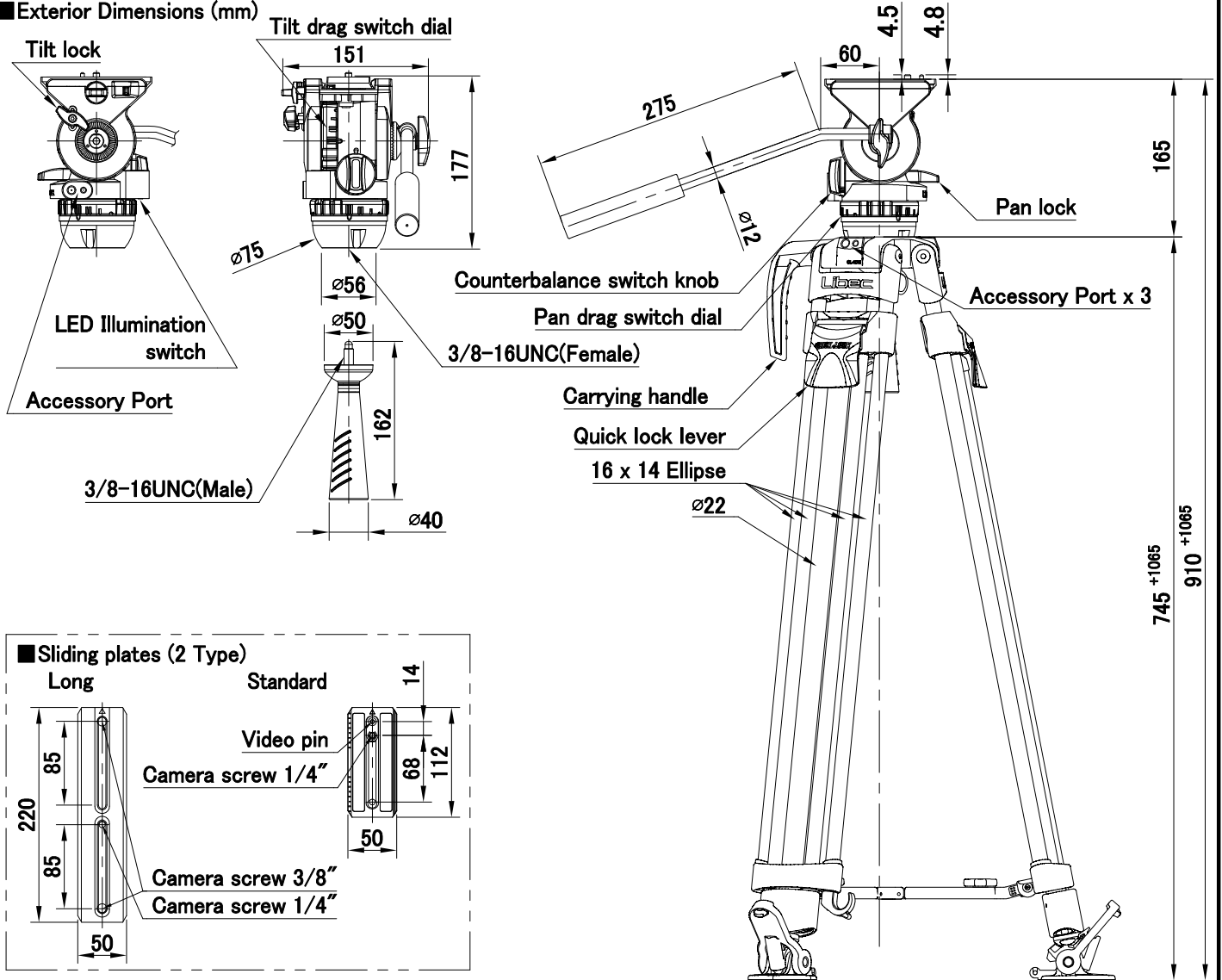


<b>System</b>	NH30 (Head) + QL40B (Tripod) + BR-2B (Mid-level spreader) + FP-1B (Large rubber feet) + RC-40 (Carrying case)		
<b>Payload</b>	10 kg / 22.0 lb	<b>Drag mode</b>	Free plus 3 steps
<b>Weight</b>	4.9 kg / 10.8 lb	<b>Temperature range</b>	-40 °C ~ +60 °C / -40 °F ~ 140 °F
<b>Operating Dimensions</b>	① H : 1975 mm W : 780 mm (※Reference)	<b>Accessory port</b>	1/4" and 3/8" screw holes (Head : 1set, Tripod : 3sets)
	② H : 910 mm W : 550 mm ( " )	<b>Head base</b>	Ball 75 mm
<b>Folded length</b>	③ L : 945 mm ( " )	<b>Carrying handle</b>	Included
<b>Camera plate</b>	Sliding plate (compatible with Manfrotto and Sachtler)	<b>Leg pipe</b>	Aluminum pipe , 2-Stage
	One touch attach and release mechanism	<b>Leg lock system</b>	Flip lock
<b>Counterbalance</b>	Range : 0 ~ 10 kg / 0 ~ 22.0 lb (C.G. 55 mm)	<b>Spreader</b>	BR-2B (Telescopic , Removable)
	Free plus 5 steps	<b>Case material</b>	Nylon , Polyester , TPE , PE , PP , POM
<b>Tilt angle</b>	+90° / -70°		

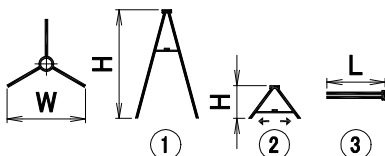
### Remarks

\* Includes adjustment tool.

### ■ Exterior Dimensions (mm)



### ※ Reference



### ■ Adjustment tool

