

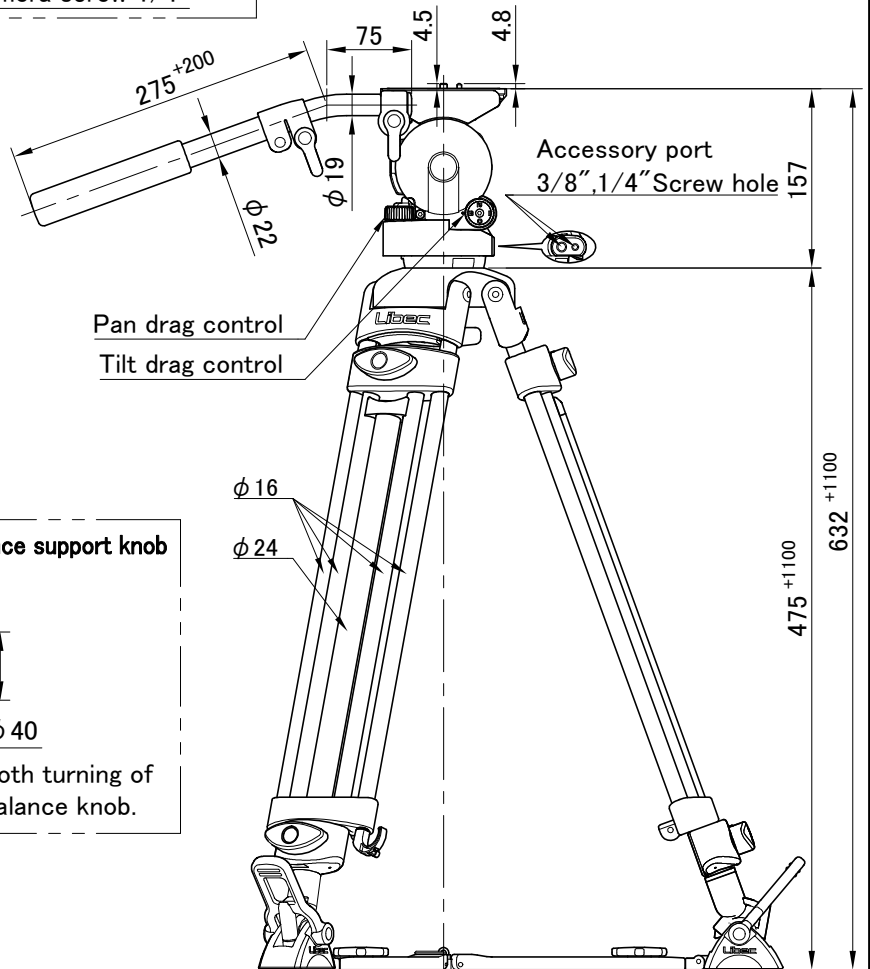
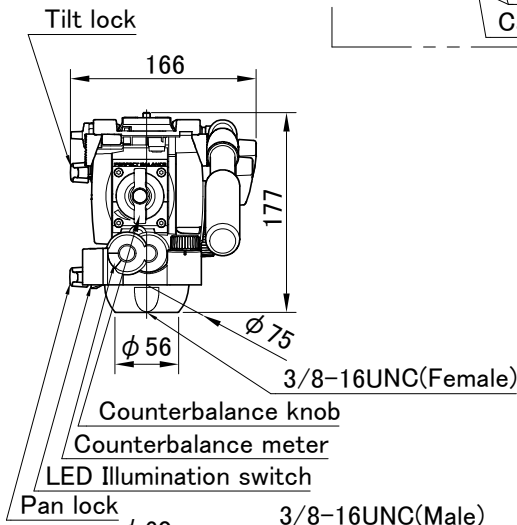
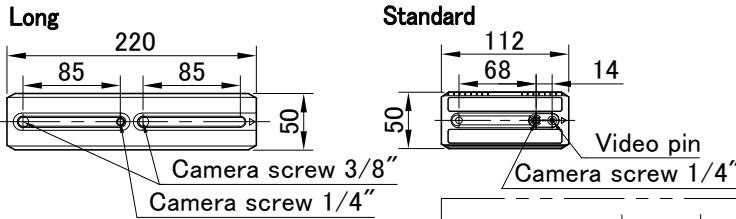
<b>System</b>	H45 ( Head ) + RT40RB ( Tripod ) + SP-2B ( Floor spreader ) + RC-50 ( Carrying case )		
<b>Payload</b>	12 kg / 26.4 lb	<b>Tilt angle</b>	+90° / -70° ( Limited to ±40° with maximum counterbalance )
<b>Weight</b>	6.8 kg / 15.0 lb	<b>Pan angle</b>	360°
<b>Height</b>	① H : 1732 mm W : 710 mm (※Reference)	<b>Counterbalance</b>	Range : 4.5 ~ 10.5 kg / 9.9 ~ 23.1 lb ( C.G. 100 mm )
	② H : 632 mm W : 1110 mm ( " )		Perfect Balance
<b>Folded length</b>	③ L : 897 mm ( " )		Continuous Counterbalance with Illuminated Meter
<b>Camera plate</b> (Sliding range)	2 Sliding plates ( compatible with Manfrotto and Sachtler )	<b>Drag mode</b>	Free plus 3 steps
	One touch attach and release mechanism	<b>Drag system</b>	Multilayered Metal Structure
<b>Plate attachment</b> (Screw sliding range)	Standard : ±30 mm / ±1.2" , Long : ±85 mm / ±3.3"	<b>Temperature range</b>	-40 °C ~ +60 °C / -40°F ~ +140°F
	Standard : 1/4-20UNC ( with video boss )	<b>Head base</b>	Ball 75 mm / Flat base with 3/8" female thread
<b>Spare screw</b>	Long : 1/4-20UNC × 1 , 3/8-16UNC × 2	<b>Accessory port</b>	Screw hole 1/4" × 1 , 3/8" × 1
	Standard : 68 mm / 2.6" , Long : 85 mm / 3.3"	<b>Section</b>	2-Stage
<b>Bubble level</b>	1/4-20UNC × 1 , 3/8-16UNC × 1	<b>Tripod fixation</b>	Fixing lock knob
	Equipped on the top of the head ( beneath sliding plate )	<b>Spreader</b>	SP-2B ( Telescopic , Removable )
		<b>Pan handle</b>	PH-6B ( Telescopic )
		<b>Case material</b>	Nylon , Polyester , TPE , PE , PP , POM

### Remarks

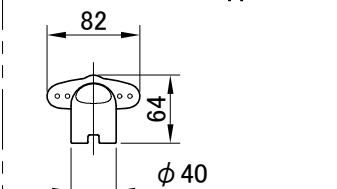
\* Includes counter balance auxiliary knob.

### Exterior Dimensions (mm)

### Sliding plates ( 2 Type )



### Counterbalance support knob



※ Allows smooth turning of the Counterbalance knob.

※ Reference

