

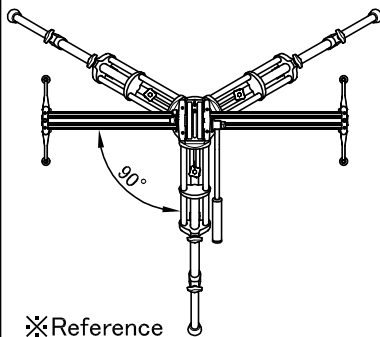
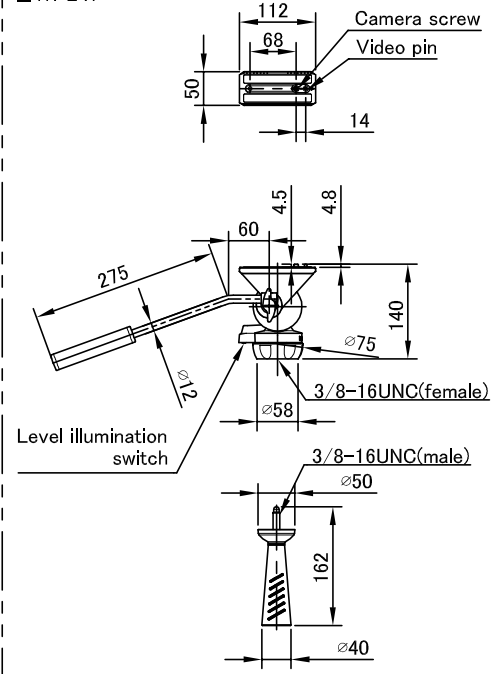
System	TH-Z H (Head) + TH-Z T (Tripod) + RC-10 (Carrying case) + ALX S8 (Slider) + ALX S8 Case		
Payload	5 kg / 11 lb	Tilt angle	+90° / -80°
Weight	5.3kg / 11.7 lb	Pan angle	360°
Height	① H : 1685 mm W : 835 mm ( ※Reference )(※1)	Counterbalance	FIX
	② H : 785 mm W : 620 mm ( " ) (※1)		---
Folded length	③ L : 855 mm ( " )	Drag mode	FIX
Camera plate (Sliding range)	Sliding plate	Head base	Ball $\varnothing 75$ mm / Flat base with 3/8" female thread
	$\pm 30$ mm / $\pm 1.2$ "	Section	2 STAGE (Material: Aluminum)
Plate attachment (Screw sliding range)	1/4-20UNC screw with video pin	Tripod fixation	Fixing lock knob
	68 mm / 2.7"	Spreader	Mid-level spreader (Telescopic) *Unremovable
Spare screw	None	Pan handle	Unique pan handle (Non-telescopic)
	---	Case material	Nylon, Polyester, TPE, PE, PP, POM, EPE

### Remarks

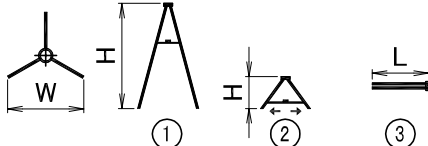
ALX S8 Payload : For table top 15 kg / 33.0 lb

### Exterior Dimensions (mm)

#### TH-Z H



※Reference



#### ALX S8

