

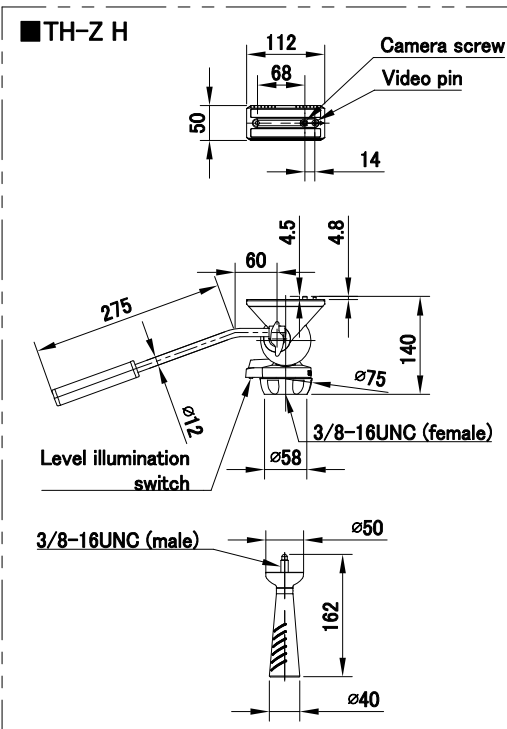
System	TH-Z H (Head) + TH-Z2 T (Tripod) + RC-10 (Carrying case) + ALX S8 (Slider) + ALX S8 Case		
Payload	5 kg / 11 lb	Tilt angle	+90° / -80°
Weight	5.3 kg / 11.7 lb	Counterbalance	Fixed
Operating Dimensions	① H : 1685 mm W : 835 mm (※Reference)	Drag mode	Fixed
	② H : 785 mm W : 620 mm (")	Accessory port	1/4" and 3/8" screw holes (Tripod : 2sets)
Folded length	③ L : 855 mm (")	Head attachment	75 mm ball / Flat base with 3/8" (female)
Camera plate (Sliding range)	Sliding plate (Compatible with Manfrotto and Sachtler) ±30 mm / ±1.2"	Carrying handle	Available
Plate attachment (Screw sliding range)	1/4-20UNC + Video pin 68 mm / 2.7"	Leg pipe	Aluminum pipe , 2-Stage
		Leg lock system	Fixing lock knob
		Spreader	Mid-level spreader (Telescopic) * Unremovable
		Case material	Nylon, Polyester, TPE, PE, PP, POM, EPE

Remarks

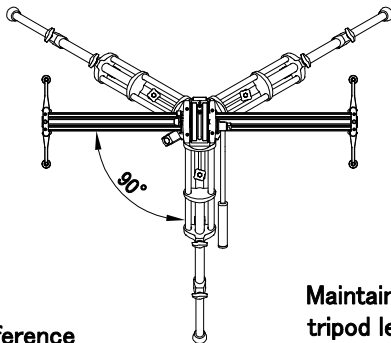
ALX S8 Payload : For table top 15 kg / 33 lb

■ Exterior Dimensions (mm)

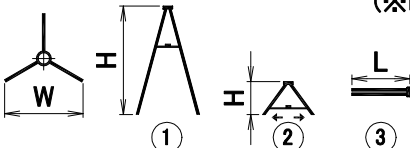
■ TH-Z H



■ Recommended setting angle



※Reference



Maintain enough distance between tripod legs to ensure stability.
(※Reference "W")

■ ALX S8

