

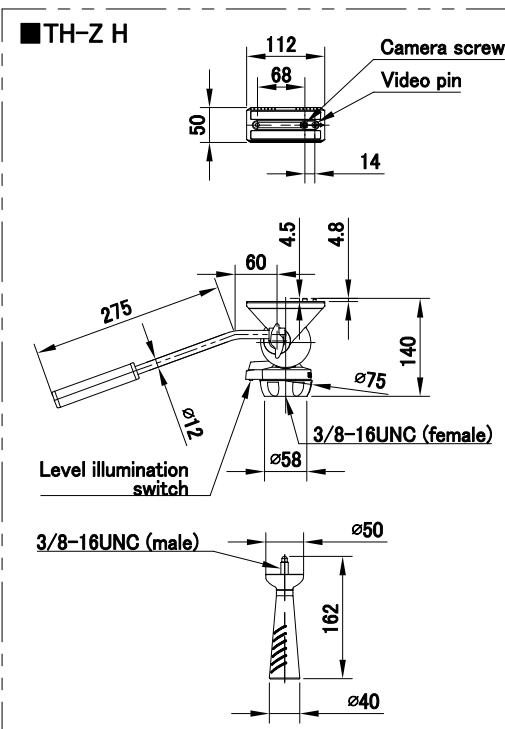
<b>System</b>	TH-Z H (Head) + TH-Z2 T (Tripod) + RC-10 (Carrying case) + ALX S4 (Slider) + ALX S4 Case		
<b>Payload</b>	5 kg / 11 lb	<b>Tilt angle</b>	+90° / -80°
<b>Weight</b>	4.9 kg / 10.8 lb	<b>Counterbalance</b>	Fixed
<b>Operating Dimensions</b>	① H : 1685 mm W : 835 mm (※Reference)	<b>Drag mode</b>	Fixed
	② H : 785 mm W : 620 mm ( " )	<b>Accessory port</b>	1/4" and 3/8" screw holes (Tripod : 2sets)
<b>Folded length</b>	③ L : 855 mm ( " )	<b>Head attachment</b>	75 mm ball / Flat base with 3/8" (female)
<b>Camera plate (Sliding range)</b>	Sliding plate (Compatible with Manfrotto and Sachtler) ±30 mm / ±1.2"	<b>Carrying handle</b>	Available
<b>Plate attachment (Screw sliding range)</b>	1/4-20UNC + Video pin 68 mm / 2.7"	<b>Leg pipe</b>	Aluminum pipe , 2-Stage
		<b>Leg lock system</b>	Fixing lock knob
		<b>Spreader</b>	Mid-level spreader (Telescopic) * Unremovable
		<b>Case material</b>	Nylon, Polyester, TPE, PE, PP, POM, EPE

### Remarks

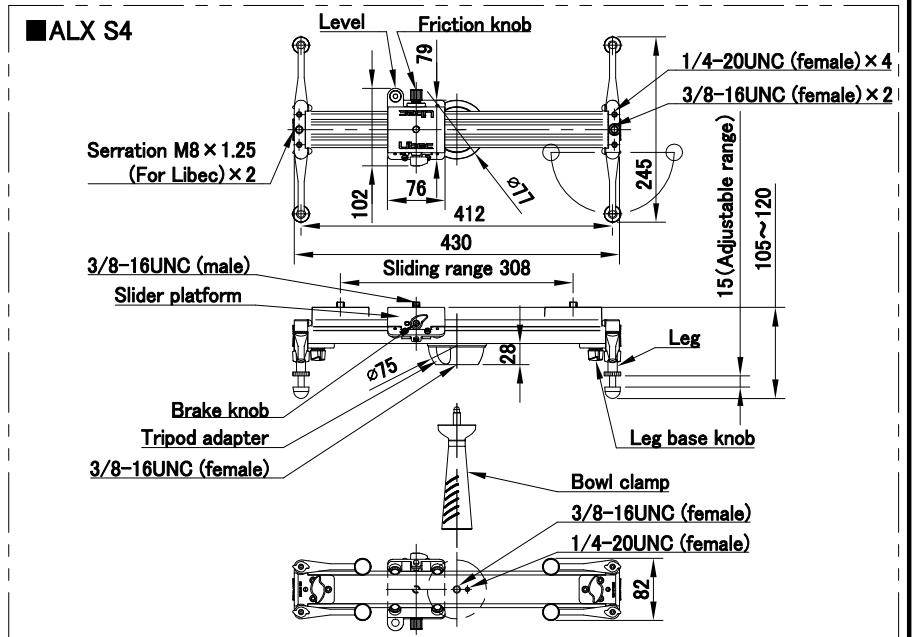
ALX S4 Payload : For table top 15 kg / 33 lb

### ■ Exterior Dimensions (mm)

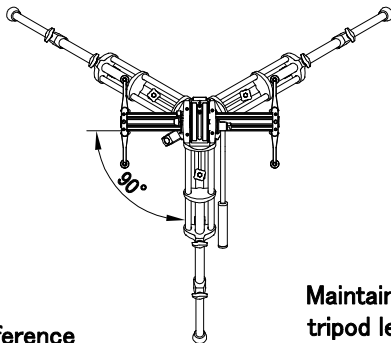
#### ■ TH-Z H



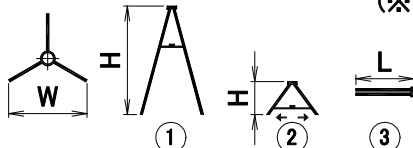
#### ■ ALX S4



#### ■ Recommended setting angle



※Reference



Maintain enough distance between tripod legs to ensure stability.  
(※Reference "W")

