

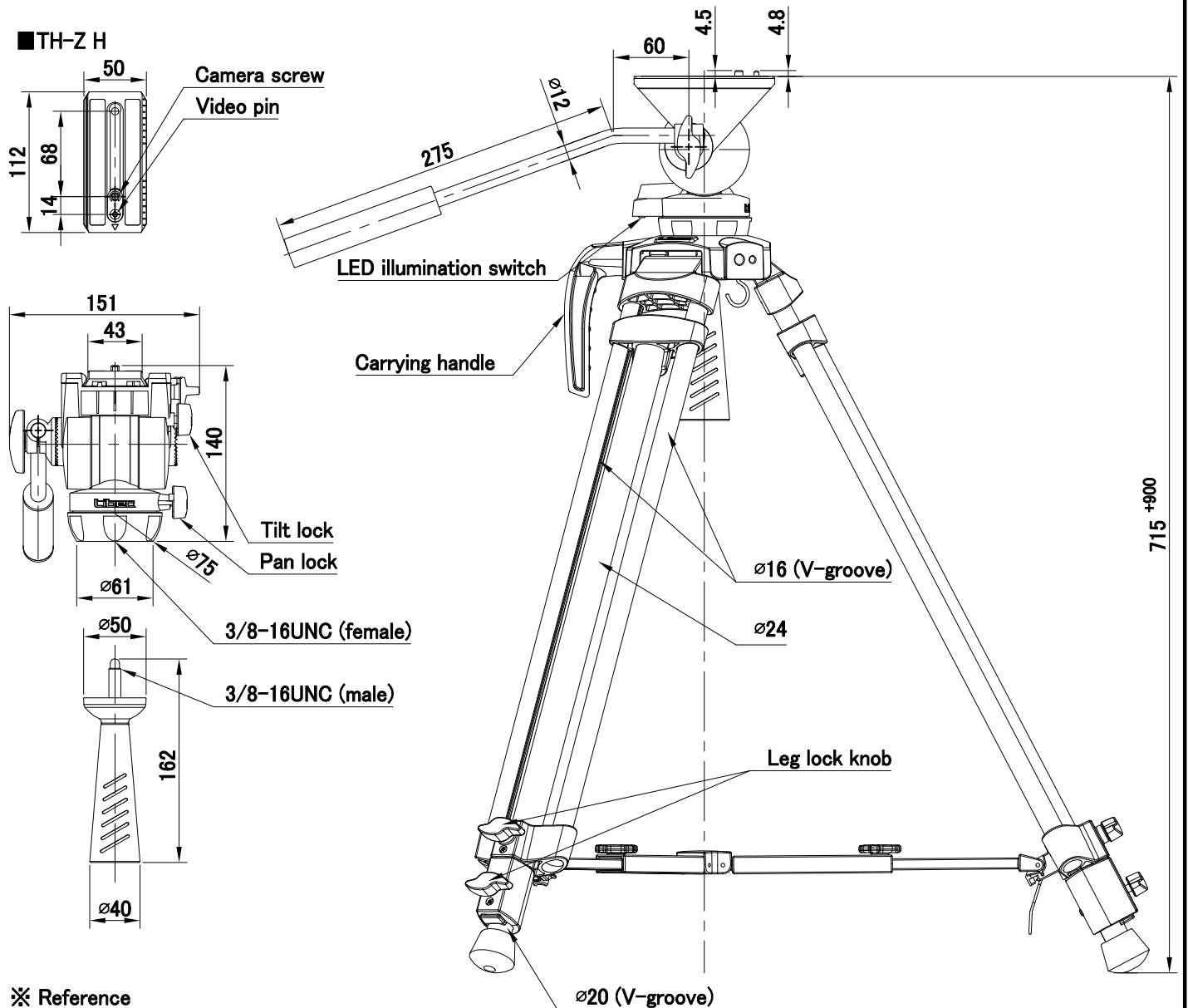
System	TH-Z H (Head) + TH-Z2 T (Tripod) + RC-10 (Carrying case)		
Payload	5 kg / 11 lb	Drag mode	Fixed
Weight	3.5 kg / 7.7 lb	Temperature range	-20 °C ~ +60 °C / -4 °F ~ +140 °F
Operating Dimensions	① H : 1615mm W : 835 mm (※ Reference)	Accessory port	1/4" and 3/8" screw holes (Tripod : 2sets)
	② H : 715 mm W : 620 mm (")	Head attachment	75 mm bowl
Folded length	③ L : 785 mm (")	Carrying handle	Available
Camera plate	Sliding plate (compatible with Manfrotto and Sachtler)	Leg pipe	Aluminum pipe , 2-Stage
	One touch attach and release mechanism	Leg lock system	Fixing lock knob
Counterbalance	Fixed	Spreader	Mid-level spreader (Telescopic) * Unremovable
Tilt angle	+90° / -80°	Case material	Nylon, Polyester, TPE, PE, PP, POM

Remarks

※ Hex Key Wrench (for Carrying handle attachment / detachment) is included.

■ Exterior Dimensions (mm)

■ TH-Z H



※ Reference

