

<b>System</b>	NH30 ( Head ) + QL40B ( Tripod ) + SP-1B ( Floor spreader ) + RC-40 ( Carrying case )		
<b>Payload</b>	10 kg / 22.0 lb	<b>Tilt angle</b>	+90° / -70°
<b>Weight</b>	5.2 kg / 11.5 lb	<b>Pan angle</b>	360°
<b>Height</b>	① H : 1983 mm W : 710 mm (※Reference)	<b>Counterbalance</b>	Range : 0 ~ 10 kg / 0 ~ 22 lb ( C.G. 55 mm )
	② H : 715 mm W : 1090 mm ( " )		System: free plus 5 steps
<b>Folded length</b>	③ L : 944 mm ( " )	<b>Drag mode</b>	Free plus 3 steps
<b>Camera plate</b> (Sliding range)	2 Sliding plates ( compatible with Manfrotto and Sachtler )	<b>Drag system</b>	Multilayered Metal Structure
	One touch attach and release mechanism	<b>Temperature range</b>	-40°C ~ +60°C / -40°F ~ +140°F
<b>Plate attachment</b> (Screw sliding range)	Standard : ±30 mm / ±1.2" , Long : ±85 mm / ±3.3"	<b>Head base</b>	Ball 75 mm / Flat base with 3/8" female thread
	Standard : 1/4-20UNC ( with video boss )	<b>Carrying handle</b>	Included
<b>Spare screw</b>	Long : 1/4-20UNC × 1 , 3/8-16UNC × 2	<b>Section</b>	2-Stage
	Standard : 68 mm / 2.6" , Long : 85 mm / 3.3"	<b>Leg lock system</b>	Flip lock
<b>Accessory port</b>	1/4-20UNC × 1 , 3/8-16UNC × 1	<b>Spreader</b>	SP-1B ( Telescopic , Removable )
	Equipped on the top of the head ( beneath sliding plate )	<b>Pan handle</b>	Dedicated pan handle
		<b>Case material</b>	Nylon , Polyester , TPE , PE , PP , POM

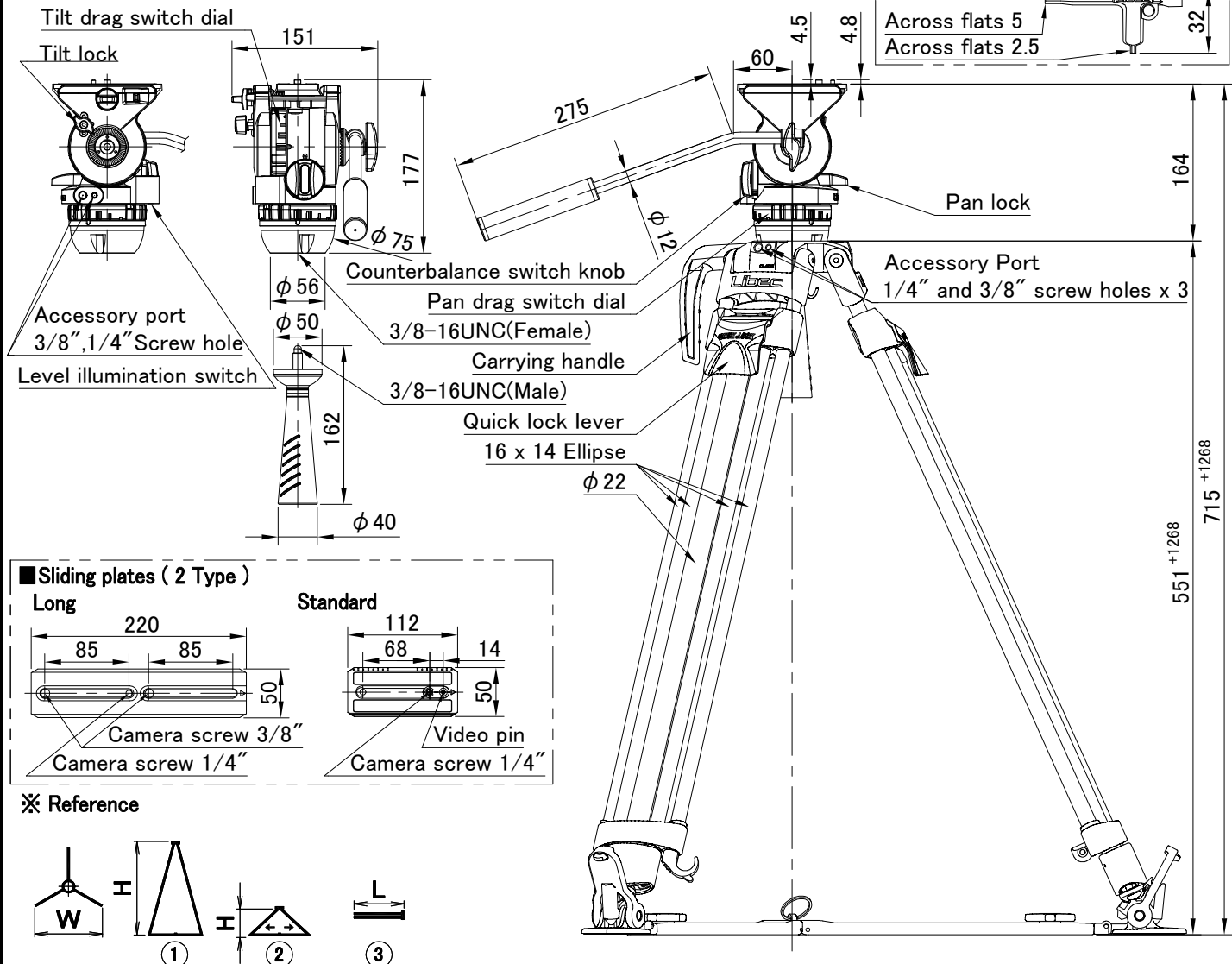
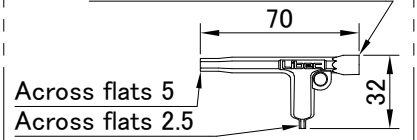
### Remarks

\* Includes adjustment tool.

### Exterior Dimensions (mm)

### Adjustment tool

Across flats 5.5 (socket)



### Reference

