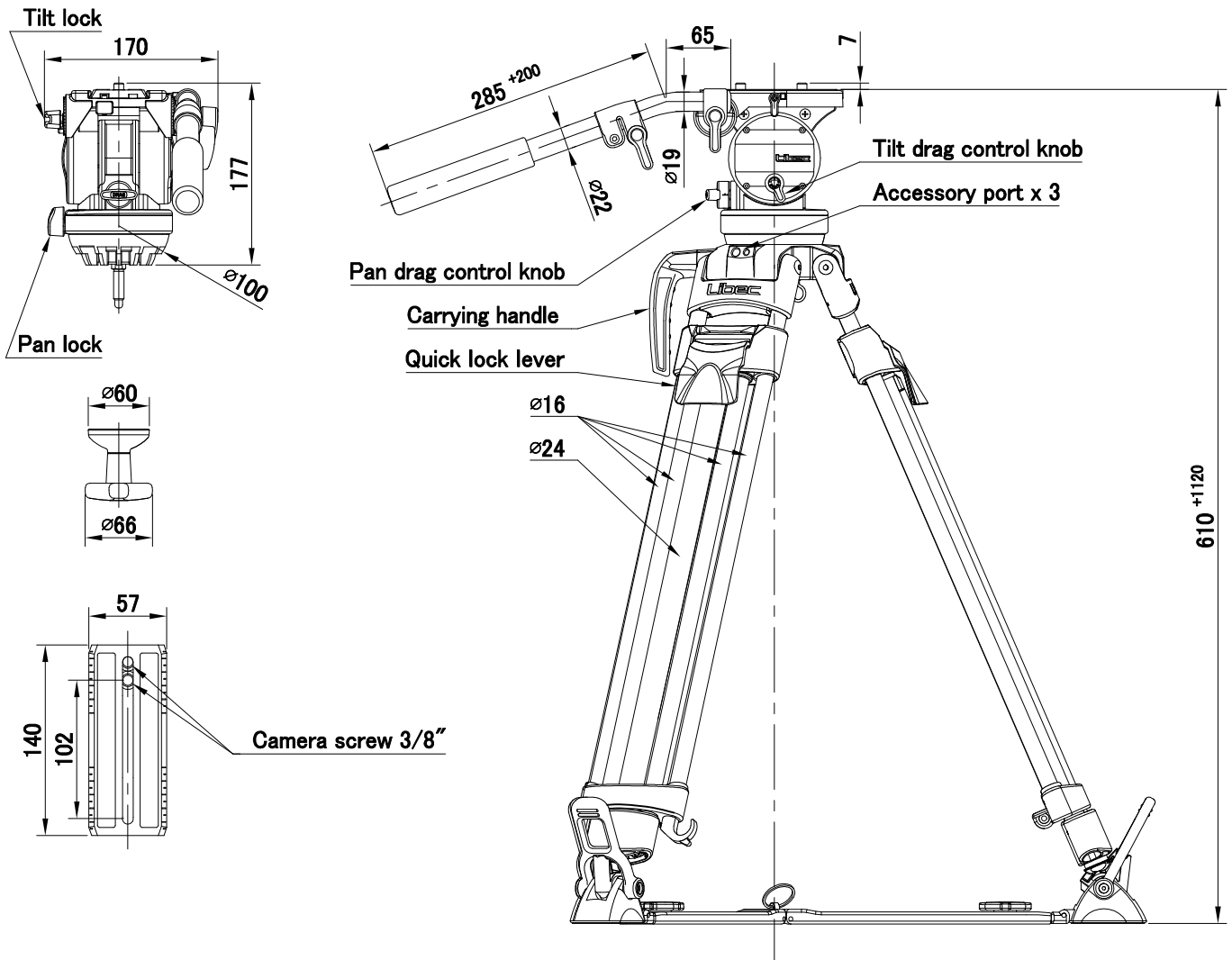


System	LX10 Head (Head) + QL60B (Tripod) + SP-2B (Floor spreader) + RC-50 (Carrying case)		
Payload	16 kg / 35 lb	Drag mode	2 Steps
Weight	7.7 kg / 16.9 lb	Temperature range	-20 °C ~ +60 °C / -4 °F ~ +140 °F
Operating Dimensions	① H : 1730 mm / 68.1" W : 710 mm / 28" (※ Reference)	Accessory port	1/4" and 3/8" screw holes (Tripod : 3sets)
	② H : 610 mm / 24" W : 1100 mm / 43.3" (")	Head attachment	100 mm bowl
Folded length	③ L : 875 mm / 34.4" (")	Carrying handle	Included
Camera plate (Sliding range)	Sliding plate	Leg pipe	Aluminum pipe , 2-Stage
	±50 mm / ±2"	Leg lock system	Flip lock
Counterbalance	Fixed	Spreader	SP-2B (Telescopic , Removable)
Tilt angle	+85° / -65°	Case material	Nylon , TPE , PE , PP , POM , ABS

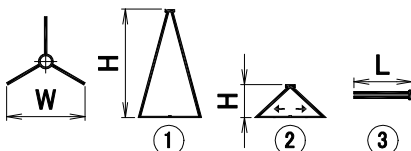
Remarks

※ Includes adjustment tool

■ Exterior Dimensions (mm)



※ Reference



■ Adjustment tool

Across flats 5.5 (socket)

