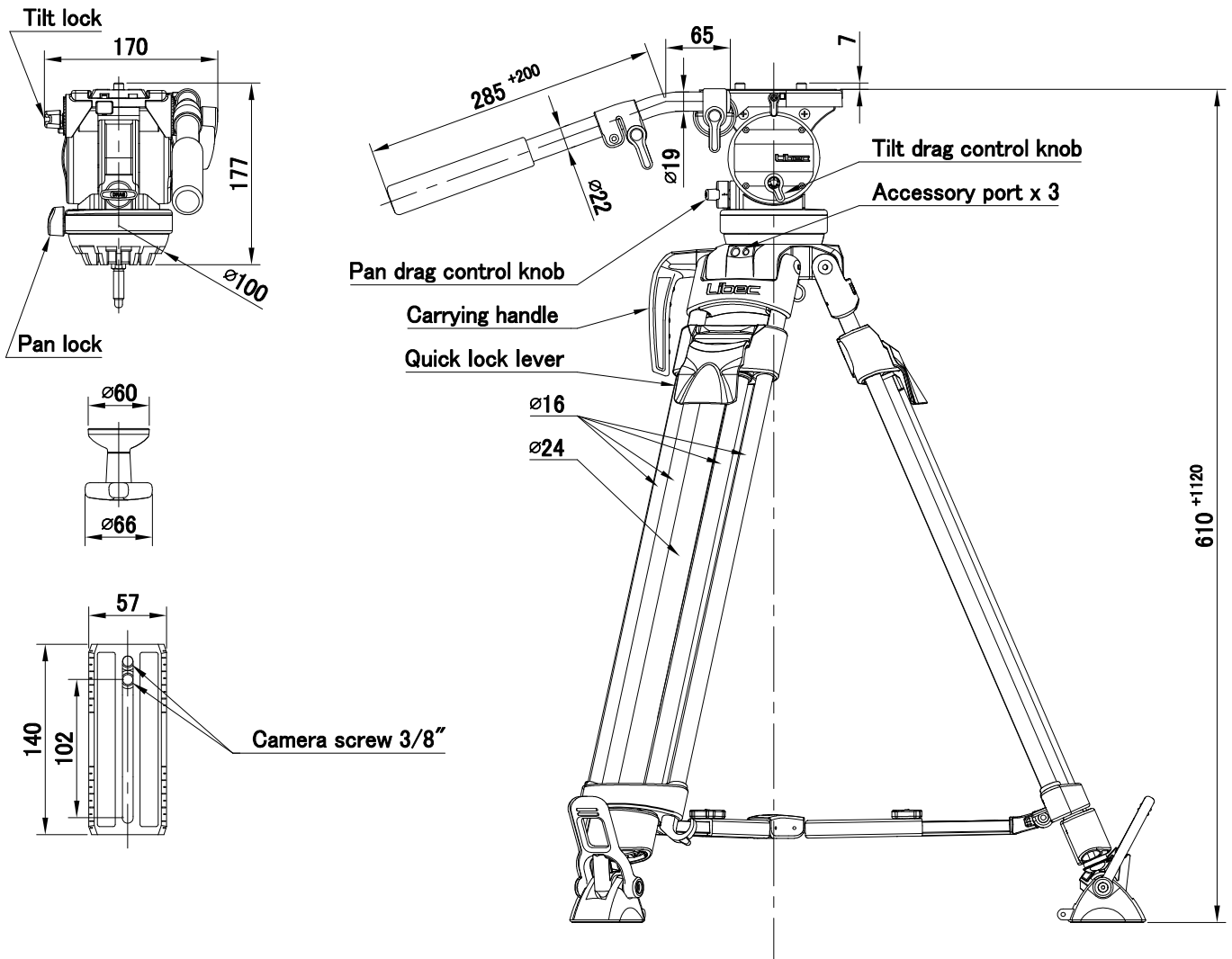


System	LX10 Head (Head) + QL60B (Tripod) + BR-6B (Mid-level spreader) + FP-2B (Large rubber feet) + RC-50 (Carrying case)		
Payload	16 kg / 35 lb	Drag mode	2 Steps
Weight	7.5 kg / 16.5 lb	Temperature range	-20 °C ~ +60 °C / -4 °F ~ +140 °F
Operating Dimensions	① H : 1715 mm / 67.5" W : 860 mm / 33.9" (※ Reference)	Accessory port	1/4" and 3/8" screw holes (Tripod : 3sets)
	② H : 820 mm / 32.3" W : 645 mm / 25.4" (")	Head attachment	100 mm bowl
Folded length	③ L : 875 mm / 34.4" (")	Carrying handle	Included
Camera plate (Sliding range)	Sliding plate	Leg pipe	Aluminum pipe , 2-Stage
	±50 mm / ±2"	Leg lock system	Flip lock
Counterbalance	Fixed	Spreader	BR-6B (Telescopic , Removable)
Tilt angle	+85° / -65°	Case material	Nylon , TPE , PE , PP , POM , ABS

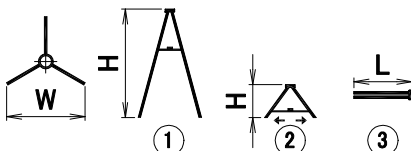
Remarks

※ Includes adjustment tool

■ Exterior Dimensions (mm)



※ Reference



■ Adjustment tool

Across flats 5.5 (socket)

