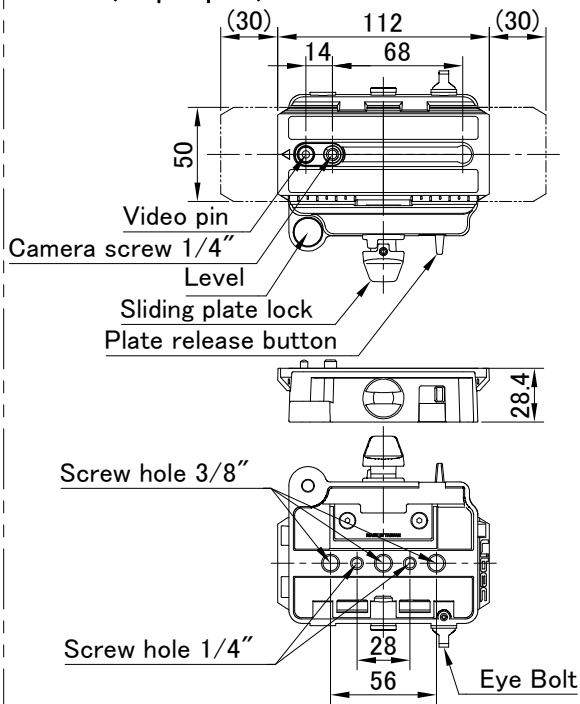


<b>System</b>	LX-ePed 2 column ( Electric Pedestal ) + AP-X ( Adapter plate ) + SP-2B ( Floor spreader )		
<b>Payload</b>	10 kg / 22 lb	<b>Head attachment</b>	100 mm bowl
<b>Weight</b>	11.9 kg / 26.2 lb ( excluding controller, AC adapter )	<b>Tripod section</b>	2-Stage
	LX-ePed column : 10.3 kg / 22.7 lb , SP-2B : 0.9 kg / 2 lb	<b>Camera attachment</b>	1/4" and 3/8" screws
<b>Height</b>	① H : 2500 mm / 98.4" ( ※Reference )	<b>Accessory port</b>	1/4" and 3/8" screw holes x 2
	② H : 985 mm / 38.8" ( " )	<b>Temperature range</b>	-10°C ~ 40°C / -40°F ~ 104°F , Below RH 90%
<b>Folded length</b>	③ L : φ241 mm × 1035 mm / φ9.5" × 40.7"	<b>Controller cable</b>	LAN Cable : 30 m / 98.4'
<b>Width</b>	W1 : 620 mm / 24.4" , W2 : 710 mm / 28"	<b>Power cable</b>	AC / DC Adapter : 3 m / 9.8'
<b>Elevation</b>	400 mm	<b>Power</b>	AC 100 V ~ 240 V
<b>Raising / Lowering speed</b>	Approx. 14 ~ 40 secs. / movement		Battery-powered ( optional )
<b>Continuous operating time</b>	3 minutes	<b>Power consumption</b>	24W ( DC 12V 2A )

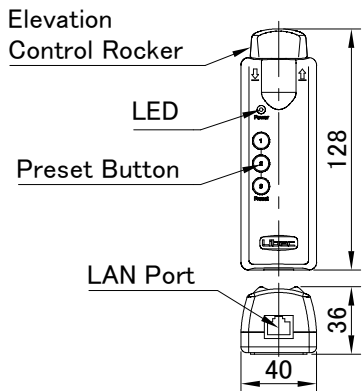
### Remarks

### Exterior Dimensions (mm)

#### AP-X (Adapter plate)



#### Controller



#### ※ Reference

