

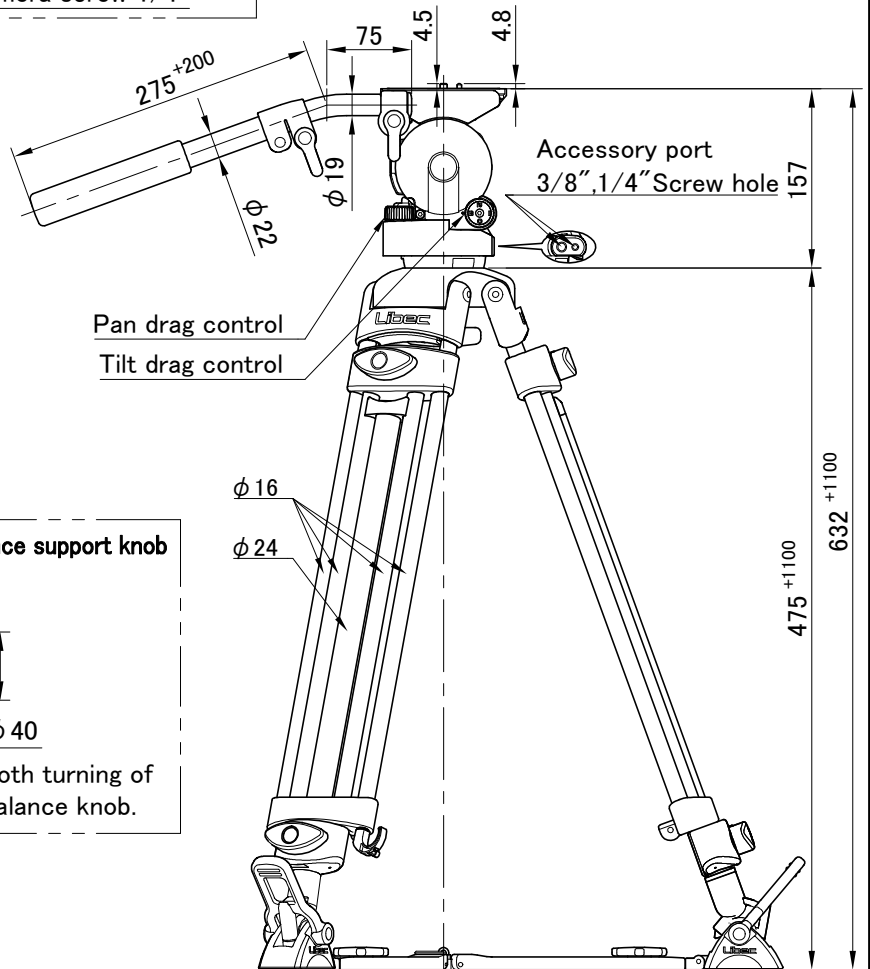
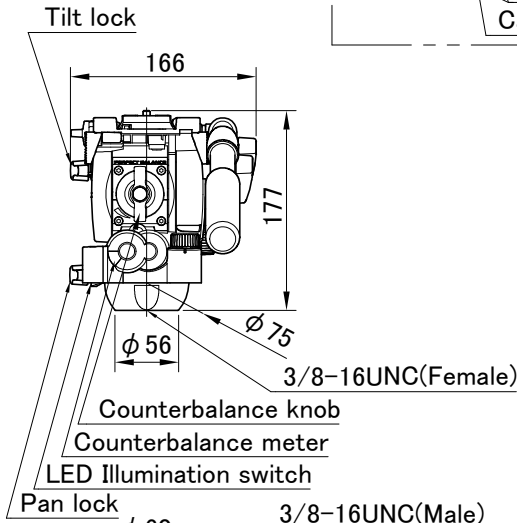
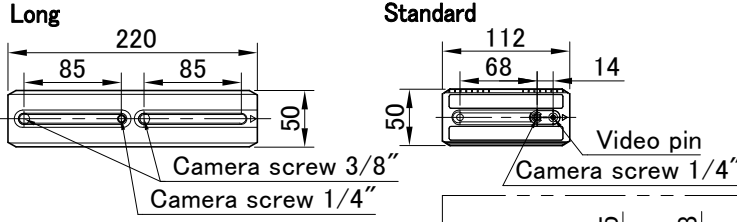
System	H45 (Head) + RT40RB (Tripod) + SP-2B (Floor spreader) + RC-50 (Carrying case)		
Payload	12 kg / 26.5 lb	Tilt angle	+90° / -70° (Limited to ±40° with maximum counterbalance)
Weight	6.8 kg / 15.0 lb	Pan angle	360°
Height	① H : 1732 mm W : 710 mm (※Reference)	Counterbalance	Range : 4.5 ~ 10.5 kg / 9.9 ~ 23.1 lb (C.G. 100 mm)
	② H : 632 mm W : 1110 mm (")		Perfect Balance
Folded length	③ L : 897 mm (")		Continuous Counterbalance with Illuminated Meter
Camera plate	2 Sliding plates (compatible with Manfrotto and Sachtler)	Drag mode	Free plus 3 steps
	One touch attach and release mechanism	Drag system	Multilayered Metal Structure
(Sliding range)	Standard : ±30 mm / ±1.2" , Long : ±85 mm / ±3.3"	Temperature range	-40 °C ~ +60 °C / -40°F ~ +140°F
Plate attachment	Standard : 1/4-20UNC (with video boss)	Head base	Ball 75 mm / Flat base with 3/8" female thread
	Long : 1/4-20UNC × 1 , 3/8-16UNC × 2	Accessory port	Screw hole 1/4" × 1 , 3/8" × 1
(Screw sliding range)	Standard : 68 mm / 2.6" , Long : 85 mm / 3.3"	Section	2-Stage
Spare screw	1/4-20UNC × 1 , 3/8-16UNC × 1	Tripod fixation	Fixing lock knob
	Equipped on the top of the head (beneath sliding plate)	Spreader	SP-2B (Telescopic , Removable)
Bubble level	Illuminated	Pan handle	PH-6B (Telescopic)
		Case material	Nylon , Polyester , TPE , PE , PP , POM

Remarks

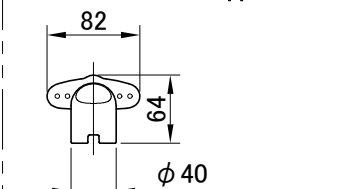
* Includes counter balance auxiliary knob.

Exterior Dimensions (mm)

Sliding plates (2 Type)



Counterbalance support knob



※ Allows smooth turning of the Counterbalance knob.

※ Reference

