

System	H25 (Head) + QL40B (Tripod) + SP-1B (Floor spreader) + RC-40 (Carrying case)		
Payload	5 kg / 11.0 lb	Tilt angle	+90° / -70° (Limited to ±50° with maximum counterbalance)
Weight	6.2 kg / 13.7 lb	Pan angle	360°
Height	① H : 1983 mm W : 710 mm (※Reference)	Counterbalance	Range : 1.7 ~ 4.5 kg / 3.7 ~ 9.9 lb (C.G. 100 mm)
	② H : 715 mm W : 1090 mm (")		Perfect Balance
Folded length	③ L : 944 mm (")		Continuous Counterbalance with Illuminated Meter
Camera plate (Sliding range)	Sliding plate (compatible with Manfrotto and Sachtler)	Drag mode	Free plus 3 steps
	One touch attach and release mechanism	Drag system	Multilayered Metal Structure
Plate attachment (Screw sliding range)	1/4-20UNC (with video boss)	Temperature range	-40°C ~ +60°C / -40°F ~ +140°F
Spare screw	68 mm / 2.6"	Head base	Ball 75 mm / Flat base with 3/8" female thread
	1/4-20UNC × 1 , 3/8-16UNC × 1	Carrying handle	Included
Bubble level	Equipped on the top of the head (beneath sliding plate)	Section	2-Stage
	Illuminated	Leg lock system	Flip lock
Accessory port	1/4" and 3/8" screw holes (head : 1 set , tripod : 3 sets)	Spreader	SP-1B (Telescopic , Removable)
		Pan handle	PH-6B (Telescopic)
		Case material	Nylon , Polyester , TPE , PE , PP , POM

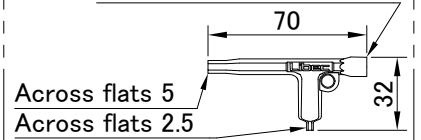
Remarks

* Includes adjustment tool.

■ Exterior Dimensions (mm)

■ Adjustment tool

Across flats 5.5 (socket)

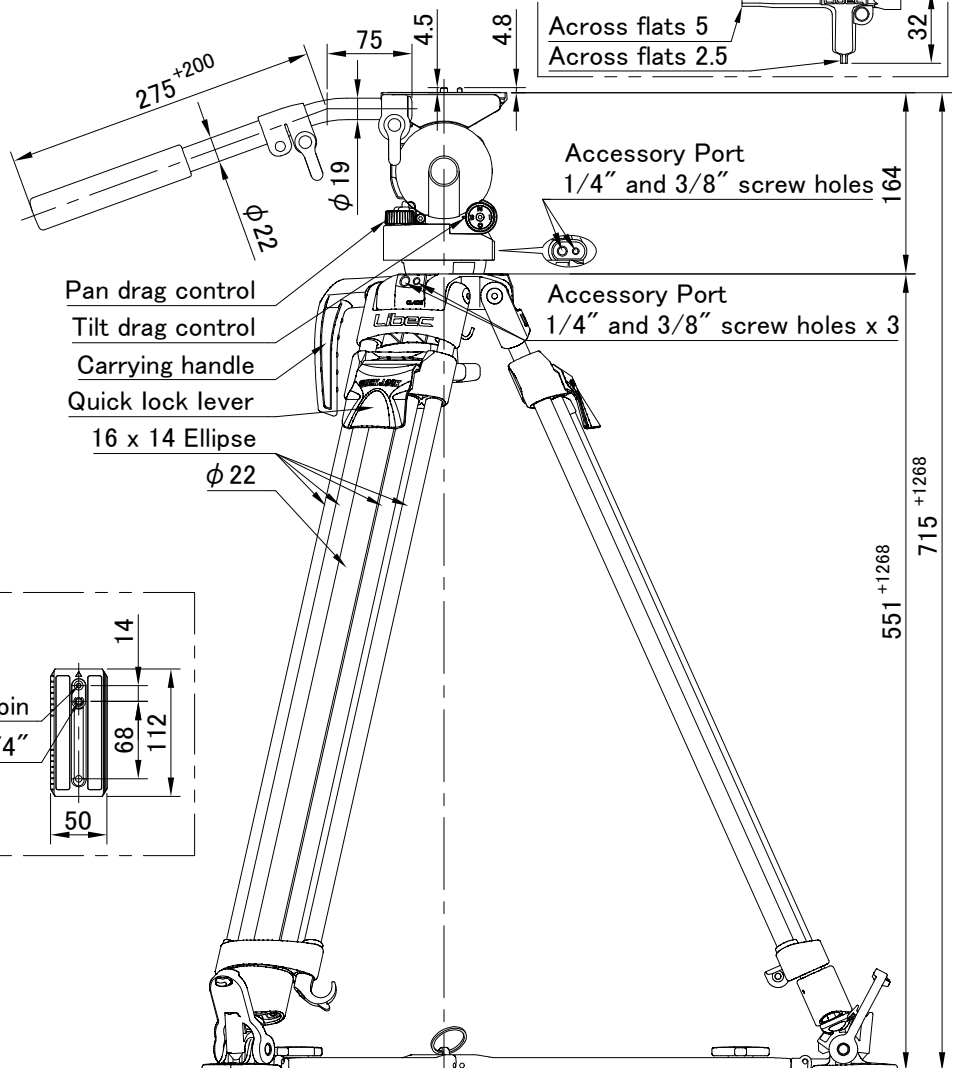
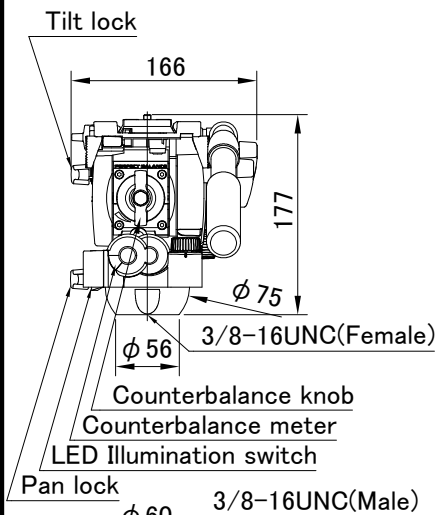


Accessory Port

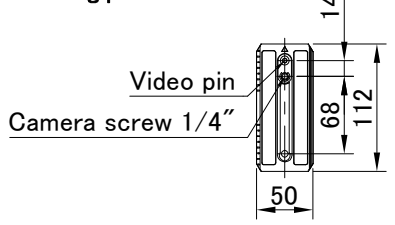
1/4" and 3/8" screw holes

Accessory Port

1/4" and 3/8" screw holes x 3



■ Sliding plate



※ Reference

