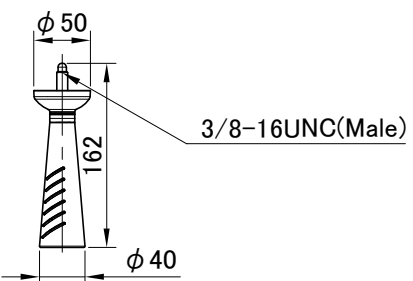
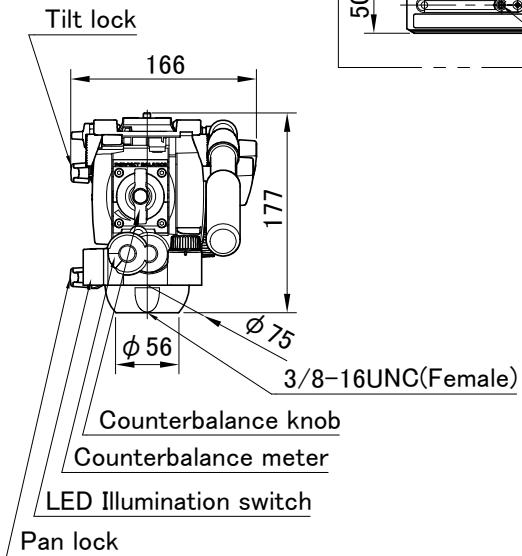
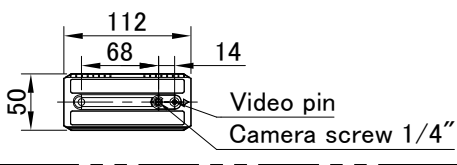


|                                                  |                                                                                                                        |                          |                                                  |
|--------------------------------------------------|------------------------------------------------------------------------------------------------------------------------|--------------------------|--------------------------------------------------|
| <b>System</b>                                    | H15 ( Head ) + RT20C ( Tripod ) + BR-2B ( Mid-level spreader ) + FP-1B ( Large rubber feet ) + RC-30 ( Carrying case ) |                          |                                                  |
| <b>Payload</b>                                   | 4 kg / 8.8 lb                                                                                                          | <b>Tilt angle</b>        | +90° / -70°                                      |
| <b>Weight</b>                                    | 4.7 kg / 10.4 lb                                                                                                       | <b>Pan angle</b>         | 360°                                             |
| <b>Height</b>                                    | ① H : 1660 mm W : 780 mm ( ※Reference )                                                                                | <b>Counterbalance</b>    | Range : 0.8 ~ 2 kg / 1.7 ~ 4.4 lb ( C.G. 55 mm ) |
|                                                  | ② H : 790 mm W : 575 mm ( " )                                                                                          |                          | Perfect Balance                                  |
| <b>Folded length</b>                             | ③ L : 825 mm ( " )                                                                                                     |                          | Continuous Counterbalance with Illuminated Meter |
| <b>Camera plate</b><br>(Sliding range)           | Sliding plate ( compatible with Manfrotto and Sachtler )                                                               | <b>Drag mode</b>         | Free plus 3 steps                                |
|                                                  | One touch attach and release mechanism                                                                                 | <b>Drag system</b>       | Multilayered Metal Structure                     |
| <b>Plate attachment</b><br>(Screw sliding range) | 1/4-20UNC ( with video boss )                                                                                          | <b>Temperature range</b> | -40 °C ~ +60 °C / -40°F ~ +140°F                 |
| <b>Spare screw</b>                               | 68 mm / 2.6"                                                                                                           | <b>Head base</b>         | Ball 75 mm / Flat base with 3/8" female thread   |
|                                                  | 1/4-20UNC × 1 , 3/8-16UNC × 1                                                                                          | <b>Accessory port</b>    | Screw hole 1/4" × 1 , 3/8" × 1                   |
| <b>Bubble level</b>                              | Equipped on the top of the head ( beneath sliding plate )                                                              | <b>Section</b>           | 2-Stage ( Material : Carbon )                    |
|                                                  | Illuminated                                                                                                            | <b>Tripod fixation</b>   | Fixing lock knob                                 |
|                                                  |                                                                                                                        | <b>Spreader</b>          | BR-2B ( Telescopic , Removable )                 |
|                                                  |                                                                                                                        | <b>Pan handle</b>        | PH-6B ( Telescopic )                             |
|                                                  |                                                                                                                        | <b>Case material</b>     | Nylon , Polyester , TPE , PE , PP , POM          |

### Remarks

### ■ Exterior Dimensions (mm)

### ■ Sliding plate



### ※ Reference

