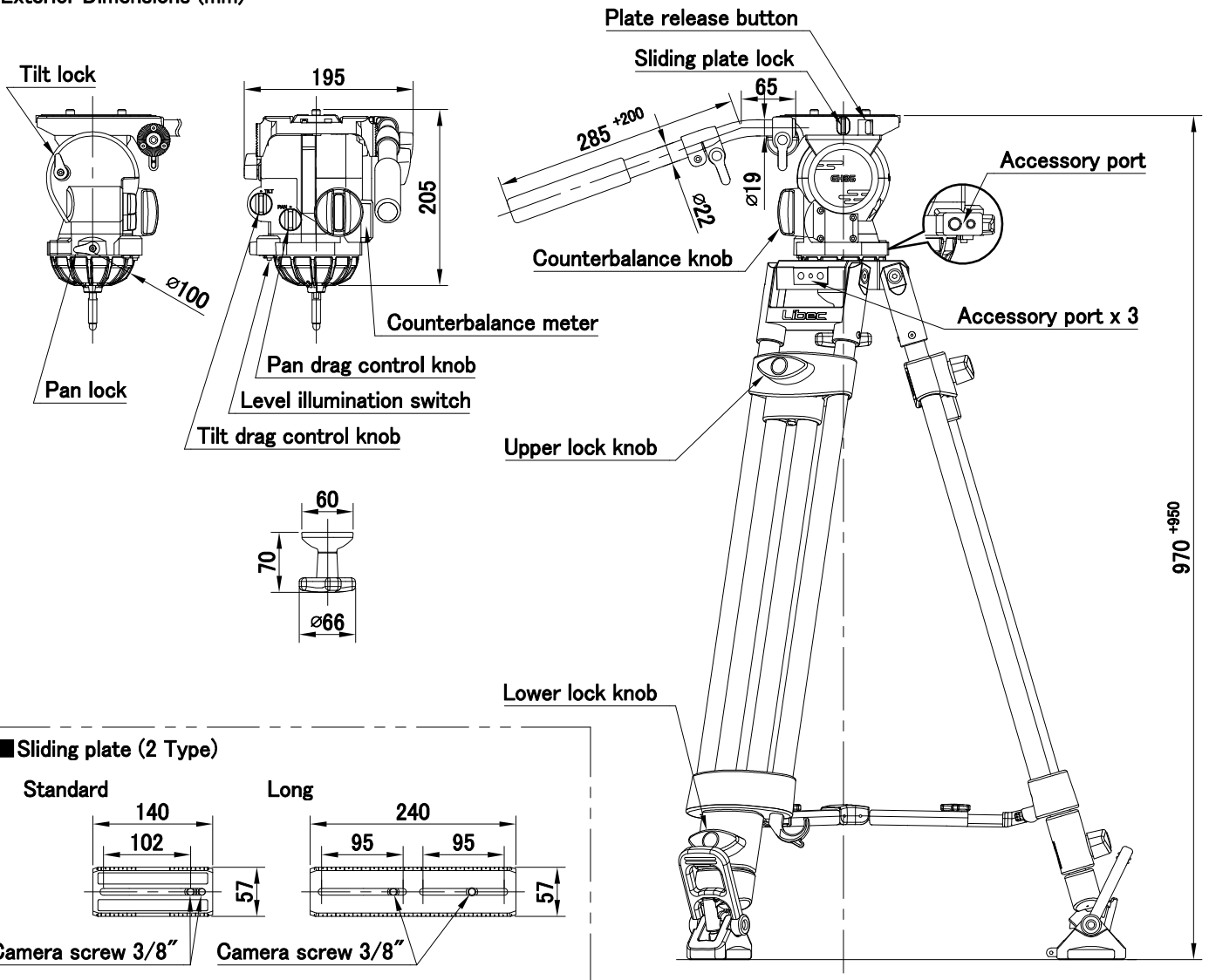


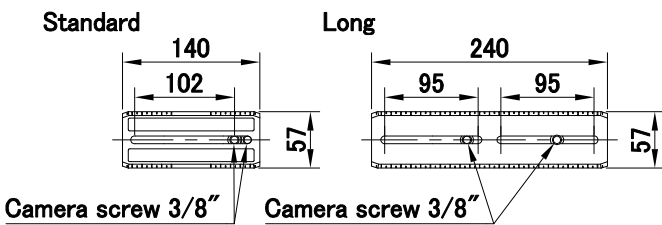
<b>System</b>	GH85 (Head) + T103RB (Tripod) + BR-6B (Mid-level spreader) + FP-6B (Large rubber feet) + RC-80 (Carrying case)		
<b>Payload</b>	25 kg / 55 lb	<b>Tilt angle</b>	+90° / -70° (Limited to ±40° with max counterbalance)
<b>Weight</b>	11.9 kg / 26.2 lb	<b>Drag mode</b>	Free plus 7 steps
<b>Operating Dimensions</b>	① H : 1920 mm / 75.6" W : 860 mm / 33.9" (※ Reference)	<b>Temperature range</b>	-40 °C ~ +60 °C / -40 °F ~ +140 °F
<b>Folded length</b>	② H : 970 mm / 38.2" W : 685 mm / 27" ( " )	<b>Accessory port</b>	1/4" x 1 and 3/8" x 1 screw holes (Head : 1set) 1/4" x 1 and 3/8" x 2 screw holes (Tripod : 3sets)
<b>Camera plate (Sliding range)</b>	③ L : 1025 mm / 40.4" ( " )	<b>Head attachment</b>	100 mm bowl
<b>Counterbalance</b>	2 Sliding plates (Standard , Long)	<b>Leg pipe</b>	Aluminum pipe , 2-Stage
	Standard : ±55 mm / ±2.2" , Long : ±85 mm / ±3.3"	<b>Leg lock system</b>	Fixing lock knob
	Range : 9 ~ 20 kg / 20 ~ 44 lb (C.G. 125 mm)	<b>Spreader</b>	BR-6B (Telescopic , Removable)
	Perfect Balance	<b>Case material</b>	Nylon , Polyester , TPE , PE , PP
	Continuous counterbalance with meter		

### Remarks

### ■ Exterior Dimensions (mm)



### ■ Sliding plate (2 Type)



### ※ Reference

