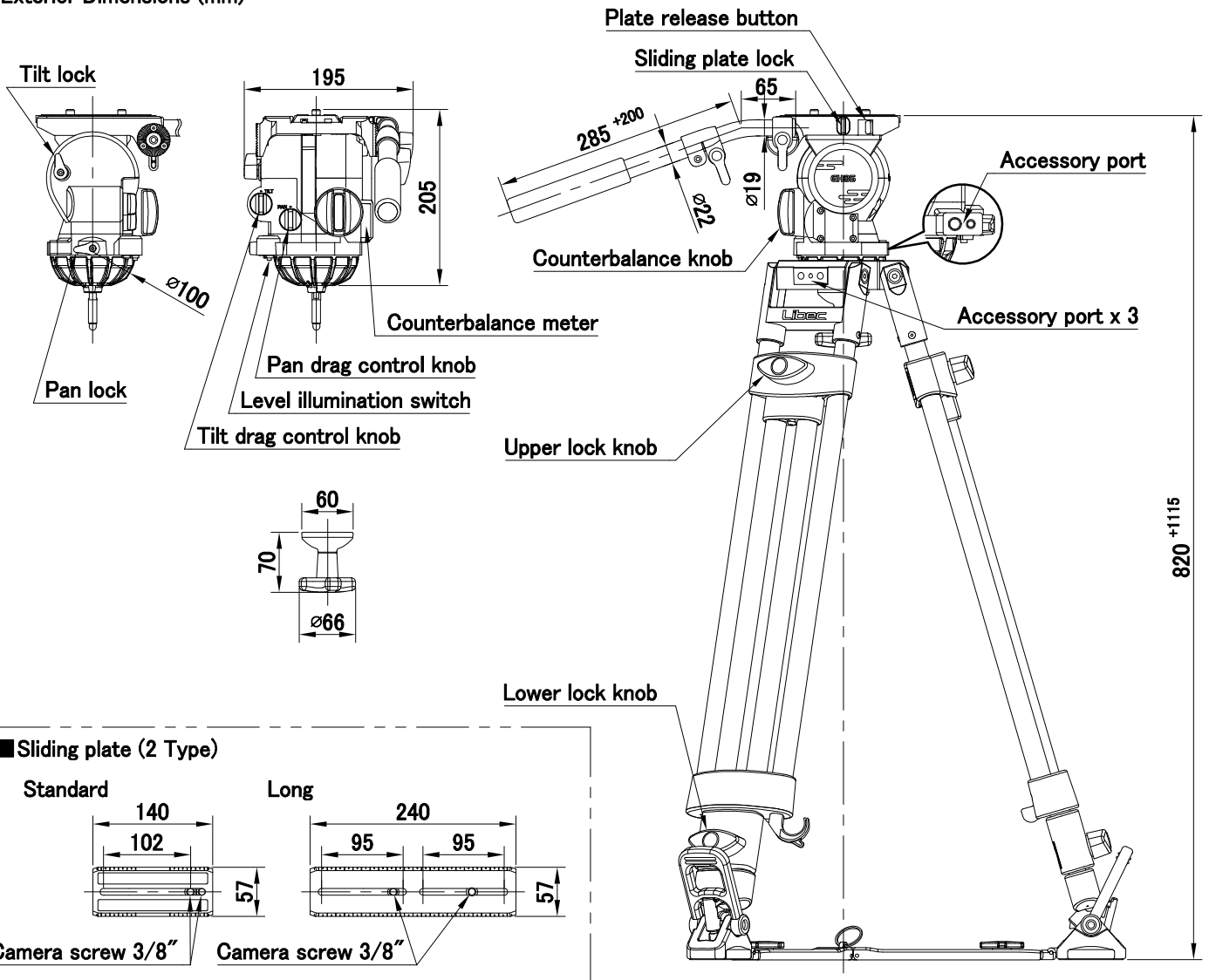


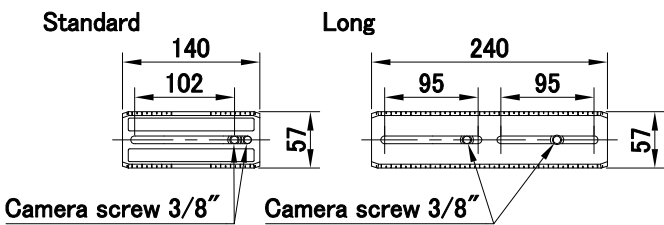
System	GH85 (Head) + T103RB (Tripod) + SP-6B (Floor spreader) + RC-80 (Carrying case)		
Payload	25 kg / 55 lb	Tilt angle	+90° / -70° (Limited to ±40° with max counterbalance)
Weight	12.1 kg / 26.6 lb	Drag mode	Free plus 7 steps
Operating Dimensions	① H : 1935 mm / 76.2" W : 730 mm / 28.7" (※ Reference)	Temperature range	-40 °C ~ +60 °C / -40 °F ~ +140 °F
Folded length	② H : 820 mm / 32.3" W : 1125 mm / 44.3" (")	Accessory port	1/4" x 1 and 3/8" x 1 screw holes (Head : 1set) 1/4" x 1 and 3/8" x 2 screw holes (Tripod : 3sets)
Camera plate (Sliding range)	③ L : 1025 mm / 40.4" (")	Head attachment	100 mm bowl
Counterbalance	2 Sliding plates (Standard , Long)	Leg pipe	Aluminum pipe , 2-Stage
	Standard : ±55 mm / ±2.2" , Long : ±85 mm / ±3.3"	Leg lock system	Fixing lock knob
	Range : 9 ~ 20 kg / 20 ~ 44 lb (C.G. 125 mm)	Spreader	SP-6B (Telescopic , Removable)
	Perfect Balance	Case material	Nylon , Polyester , TPE , PE , PP
	Continuous counterbalance with meter		

Remarks

■ Exterior Dimensions (mm)



■ Sliding plate (2 Type)



※ Reference

