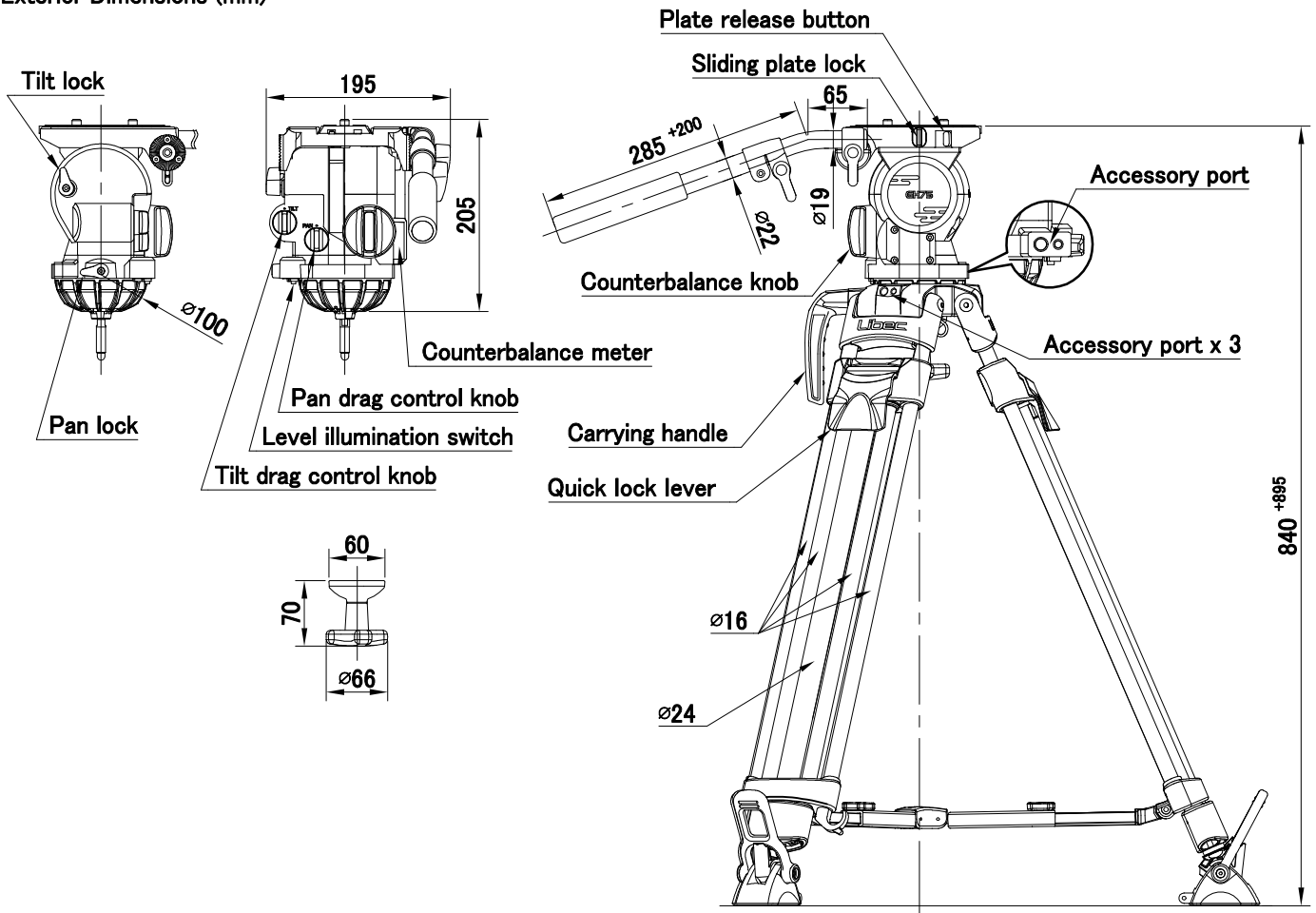


System	GH75 (Head) + QL60C (Tripod) + BR-6B (Mid-level spreader) + FP-2B (Large rubber feet) + RC-70 (Carrying case)		
Payload	17 kg / 37.5 lb	Tilt angle	+90° / -70° (Limited to ±40° with max counterbalance)
Weight	7.7 kg / 16.9 lb	Drag mode	Free plus 7 steps
Operating Dimensions	① H : 1735 mm / 68.3" W : 860 mm / 33.9" (※ Reference)	Temperature range	-40 °C ~ +60 °C / -40 °F ~ +140 °F
	② H : 840 mm / 33.1" W : 645 mm / 25.4" (")	Accessory port	1/4" and 3/8" screw holes (Head : 1set , Tripod : 3sets)
Folded length	③ L : 895 mm / 35.2" (")	Head attachment	100 mm bowl
Camera plate (Sliding range)	Sliding plate	Carrying handle	Included
	±55 mm / ±2.2"	Leg pipe	Carbon pipe , 2-Stage
Counterbalance	Range : 5.5 ~ 14 kg / 12 ~ 31 lb (C.G. 125 mm)	Leg lock system	Flip lock
	Perfect Balance	Spreader	BR-6B (Telescopic , Removable)
	Continuous counterbalance with meter	Case material	Nylon , Polyester , TPE , PE , PP

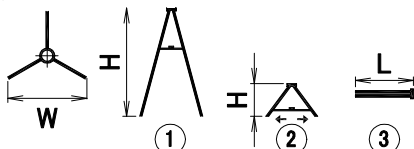
Remarks

※ Includes adjustment tool

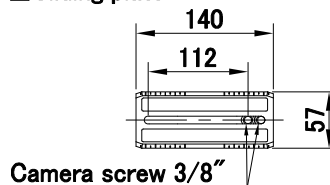
■ Exterior Dimensions (mm)



※ Reference



■ Sliding plate



■ Adjustment tool

