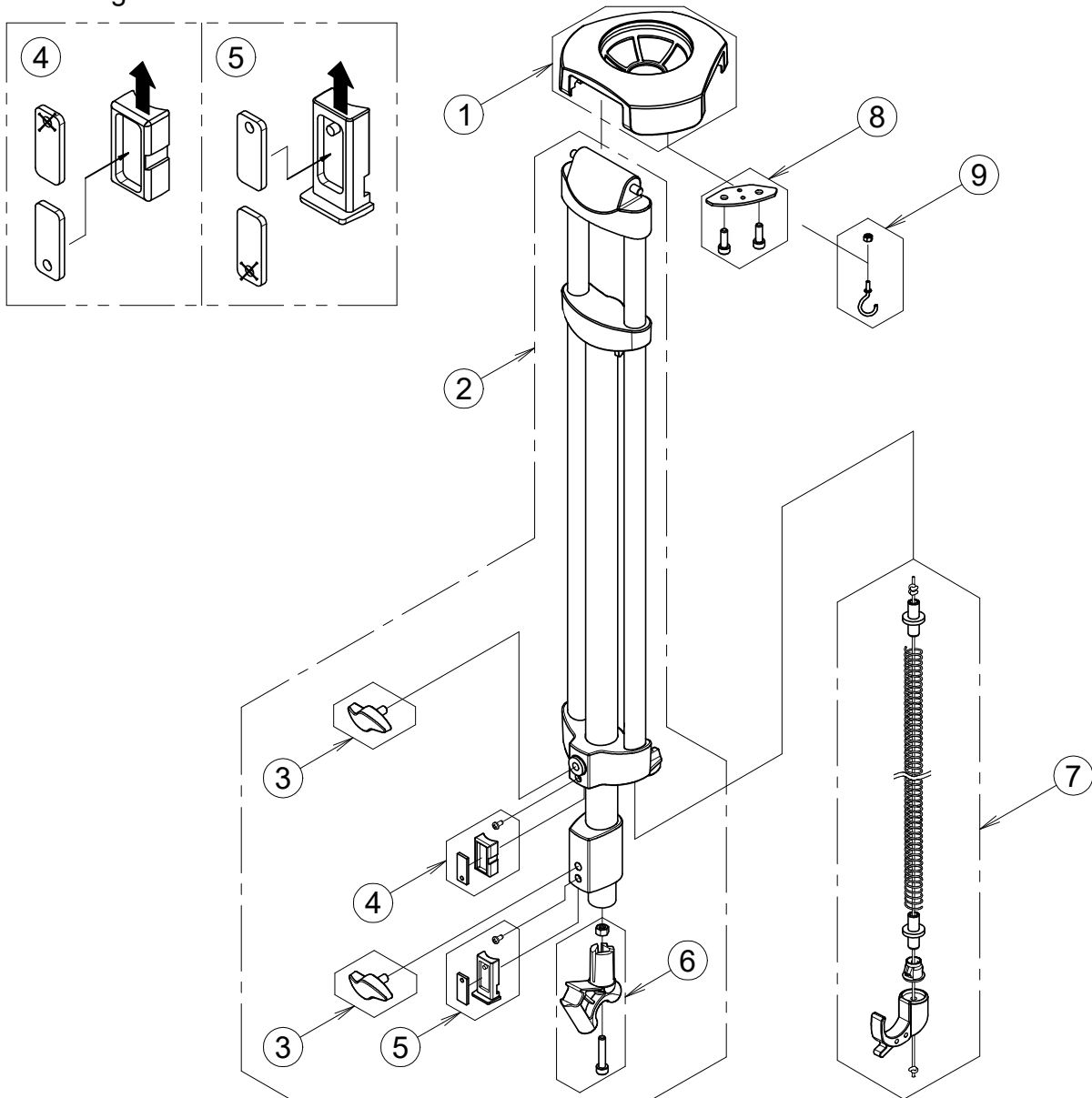


④,⑤ Assembly
Mounting direction



No.	PART No.	DESCRIPTION	Q'TY USED	NOTE
1	RT20C-1	Tripod bowl	1	
2	RT20C-2	Leg assembly		
3	RT20C-3	Leg lock knob	6	
4	RT20C-4	Middle leg push-piece & plate	3	
5	RT20C-5	Lower leg push-piece & plate	3	
6	RT20C-6	Spike assembly	3	
7	RT20C-7	Binding strap	1	
8	RT20C-8	Leg fixing plate	1	3 Pcs. set (With screws)
9	RT20C-9	Hook	1	With nut