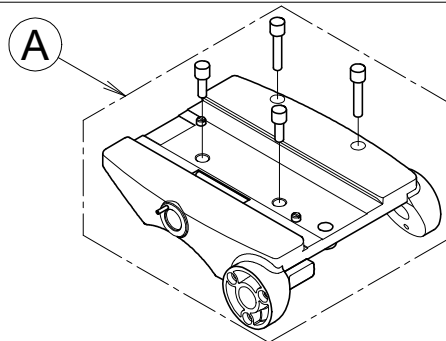


No.	PART No.	DESCRIPTION	Q'TY USED	NOTE
1	RHP85-1	Head assembly		
2	RHP85-2	Sliding plate (Standard)	1	
3	RHP85-3	Sliding plate (Long)		
4	RHP85-4	Camera screw (3/8-16 UNC)	5	
5	RHP85-5	Sliding plate lock	1	
6	RHP85-6	Tilt lock	1	
7	RHP85-7	Pan lock	1	
8	RHP85-8	Tilt drag control	1	
9	RHP85-9	Pan drag control	1	
10	RHP85-10	Serration	2	
11	RHP85-11	Tilt support cover	1	
12	RHP85-12	LED module	1	
13	RHP85-13	Bowl clamp	1	

**【Note】**

No.3 is not provided as service parts , rather please purchase the " Sliding Plate L " .



No.	PART No.	DESCRIPTION	Q'TY USED	NOTE
A	RHP85-A	Camera platform assembly	1	