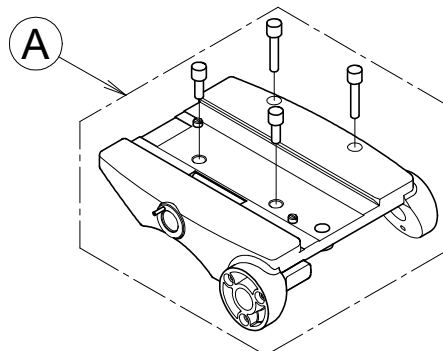


No.	PART No.	DESCRIPTION	Q'TY USED	NOTE
1	RHP75-1	Head assembly		
2	RHP75-2	Sliding plate	1	
3	RHP75-3	Camera screw (3/8-16 UNC)	3	
4	RHP75-4	Sliding plate lock	1	
5	RHP75-5	Tilt lock	1	
6	RHP75-6	Pan lock	1	
7	RHP75-7	Tilt drag control	1	
8	RHP75-8	Pan drag control	1	
9	RHP75-9	Serration	2	
10	RHP75-10	Tilt support cover	1	
11	RHP75-11	LED module	1	
12	RHP75-12	Bowl clamp	1	



No.	PART No.	DESCRIPTION	Q'TY USED	NOTE
A	RHP75-A	Camera platform assembly	1	