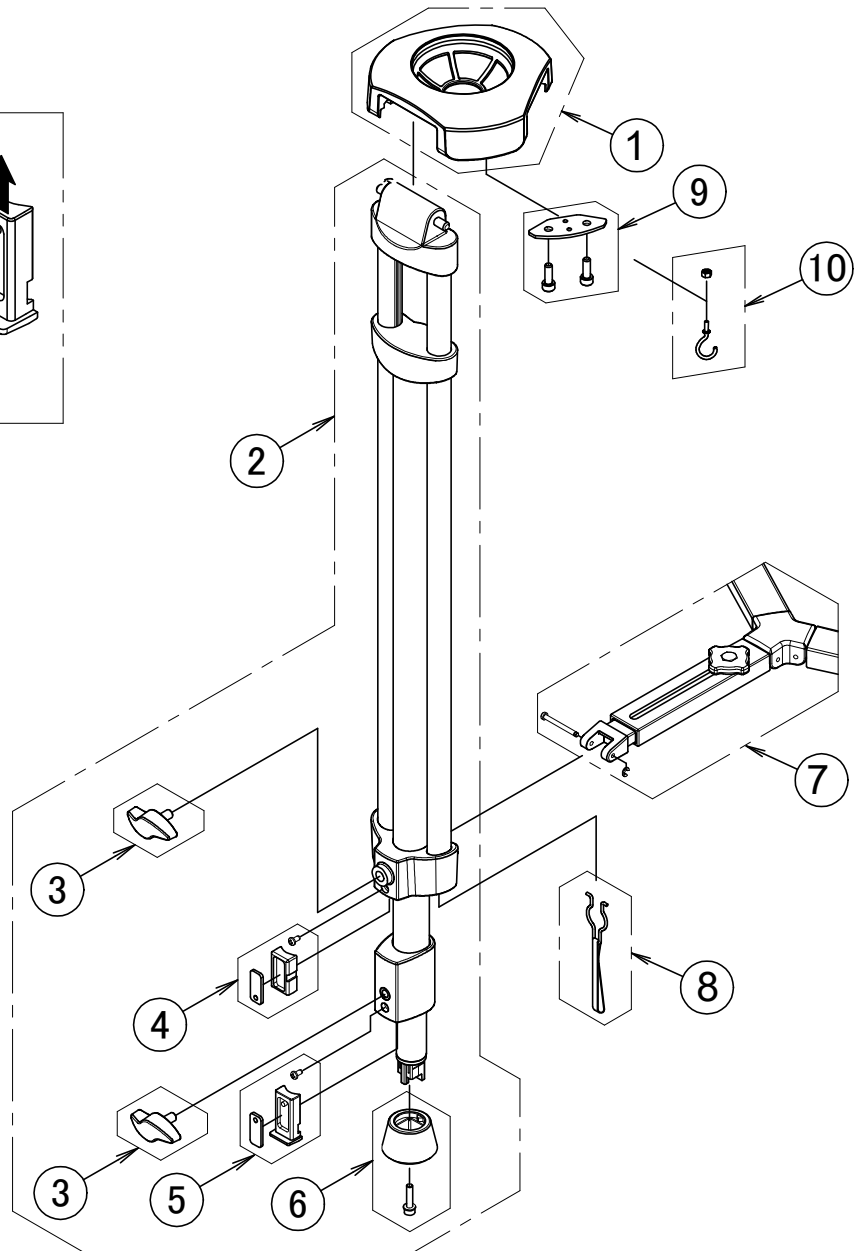
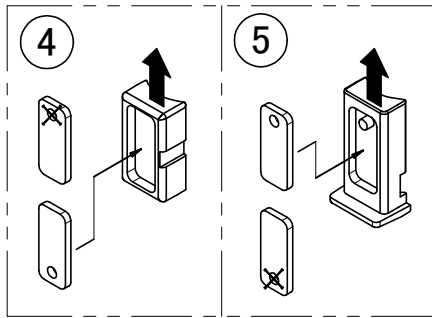


④,⑤ Assembly  
Mounting direction



No.	PART No.	DESCRIPTION	Q'TY USED	NOTE
1	THZT-1	Tripod bowl	1	
2	THZT-2	Leg assembly	3	
3	THZT-3	Leg lock knob	6	
4	THZT-4	Middle leg push-piece & plate	3	
5	THZT-5	Lower leg push-piece & plate	3	
6	THZT-6	Foot rubber	1	3 Pcs. set (with screws)
7	THZT-7	TH-Z T Mid-level spreader	1	with Pin and E-ring (3 Pcs.)
8	THZT-8	Transport lock	1	
9	THZT-9	Leg fixing plate	1	3 Pcs. set (with screws)
10	THZT-10	Hook	1	with Nut