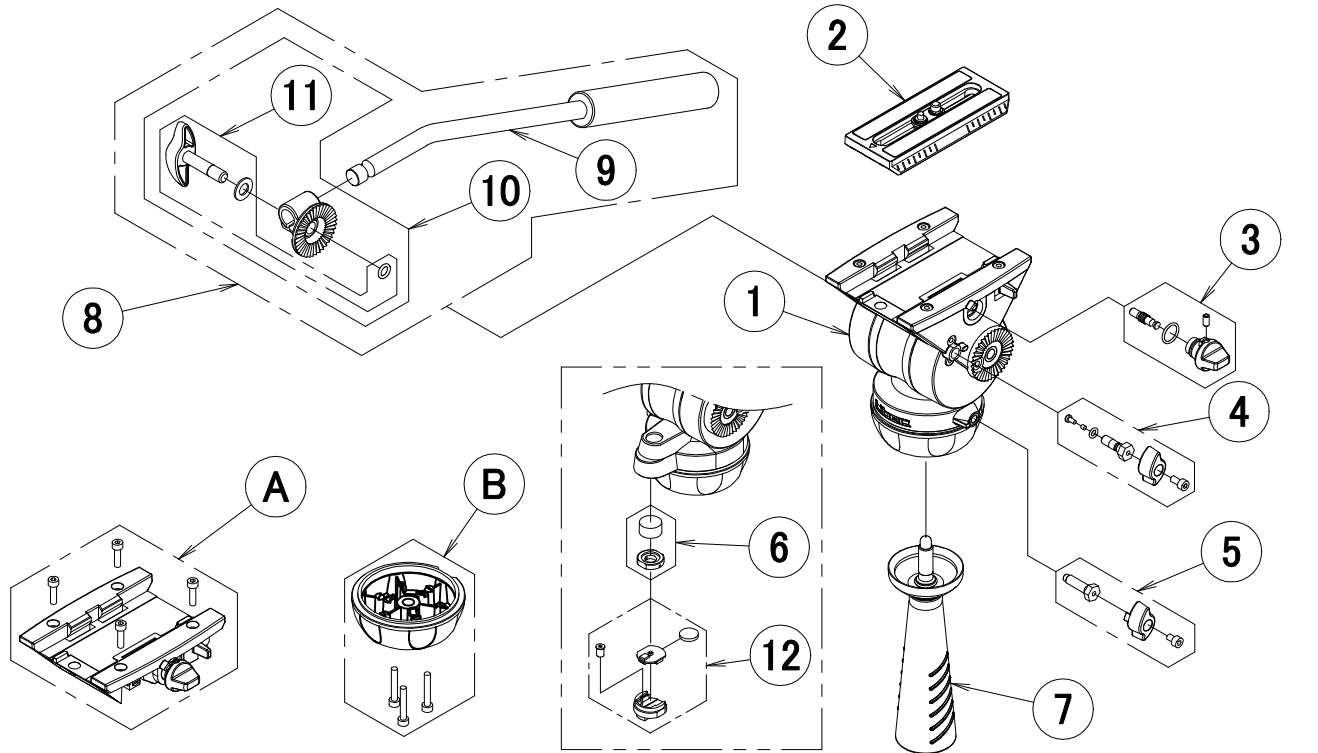


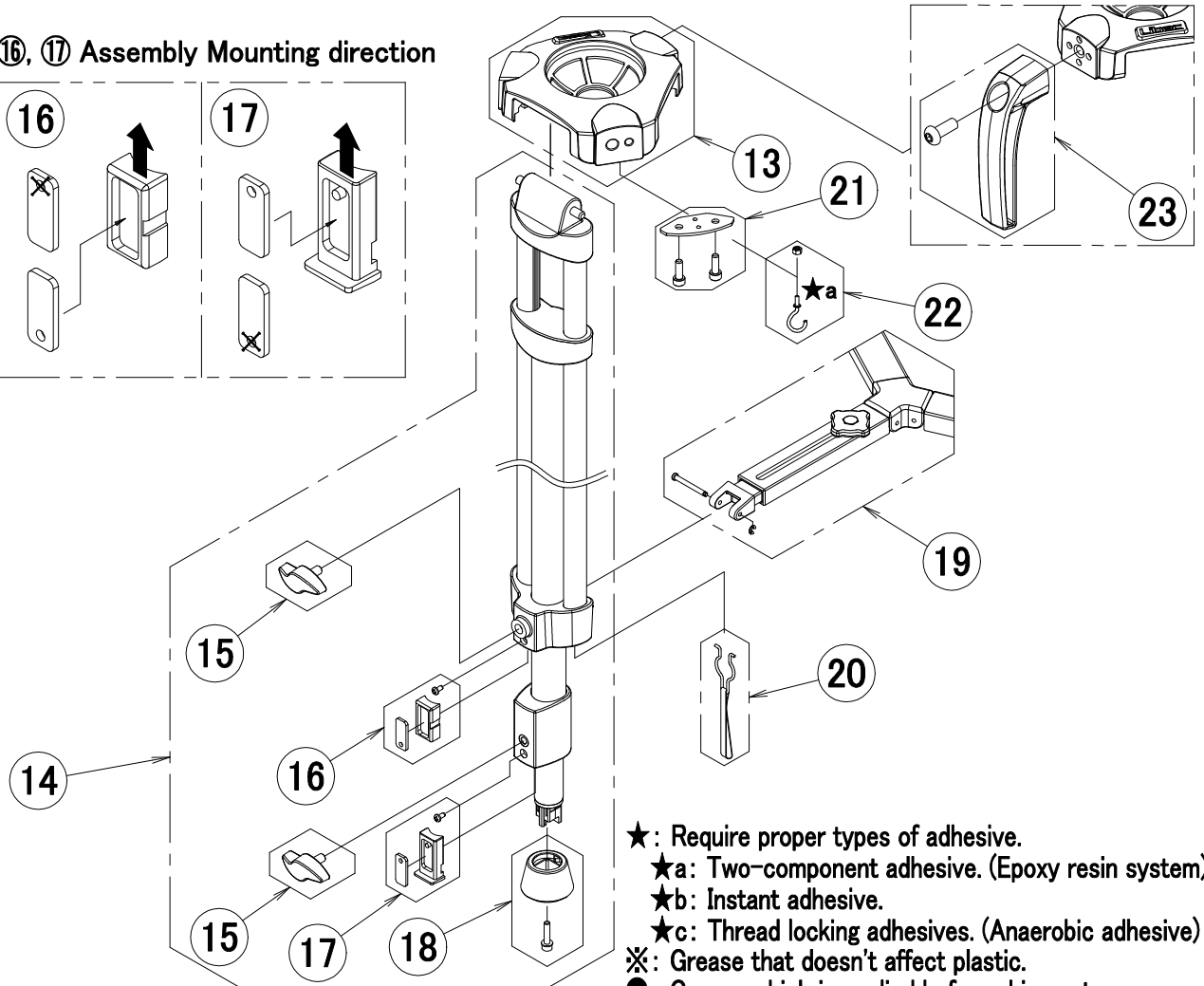
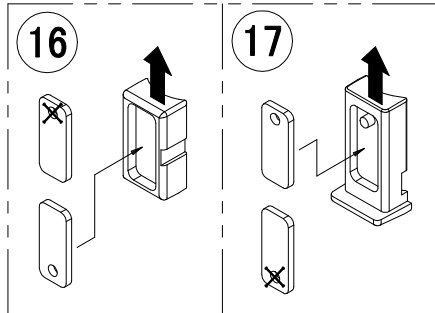
No.	PART No.	DESCRIPTION	QTY USED PER PROD	NOTE
1	THZ2-1	Head assembly		
2	THZ2-2	Sliding plate	1	
3	THZ2-3	Sliding plate lock	1	
4	THZ2-4	Tilt lock knob set	1	
5	THZ2-5	Pan lock knob set	1	
6	THZ2-6	Bubble level assembly	1	
7	THZ2-7	Bowl clamp	1	
8	THZ2-8	TH-Z H Pan handle	1	
9	THZ2-9	Pan handle assembly	1	
10	THZ2-10	Pan handle holder assembly	1	
11	THZ2-11	Pan handle lock	1	
12	THZ2-12	LED assembly	1	
13	THZ2-13	Tripod bowl		
14	THZ2-14	Leg assembly		
15	THZ2-15	Leg lock knob	6	
16	THZ2-16	Middle leg push-piece & plate	3	
17	THZ2-17	Lower leg push-piece & plate	3	
18	THZ2-18	Foot rubber × 3 pcs	1	
19	THZ2-19	Mid-level spreader		
20	THZ2-20	Transport lock	1	
21	THZ2-21	Leg fixing plate × 3 pcs	1	
22	THZ2-22	Hook	1	
23	THZ2-23	Carrying handle	1	
A	THZ2-A	Camera platform assembly	1	
B	THZ2-B	Ball leveler	1	

**【Remarks】**

⑯ and ⑰ have a specific installation direction, please assemble them referring to the illustration.



**16, 17 Assembly Mounting direction**



- ★ : Require proper types of adhesive.
- ★a : Two-component adhesive. (Epoxy resin system)
- ★b : Instant adhesive.
- ★c : Thread locking adhesives. (Anaerobic adhesive)
- ※ : Grease that doesn't affect plastic.
- : Grease which is applied before shipment.