

System	T150C ( Tripod ) + SP-15B ( Floor spreader )		
Payload	100 kg / 220.4 lb	Ball diameter	∅150 mm
Weight	6.8 kg / 15.0 lb	Section	2 STAGE
Height	① H : 1630 mm W : 756 mm ( ※Reference )	Tripod fixation	Fixing lock knob
	② H : 585 mm W : 1130 mm ( " )	Spreader	SP-15B
Folded length	③ L : 790 mm ( " )	Material	Carbon pipe , Aluminum alloy, Engineering plastic

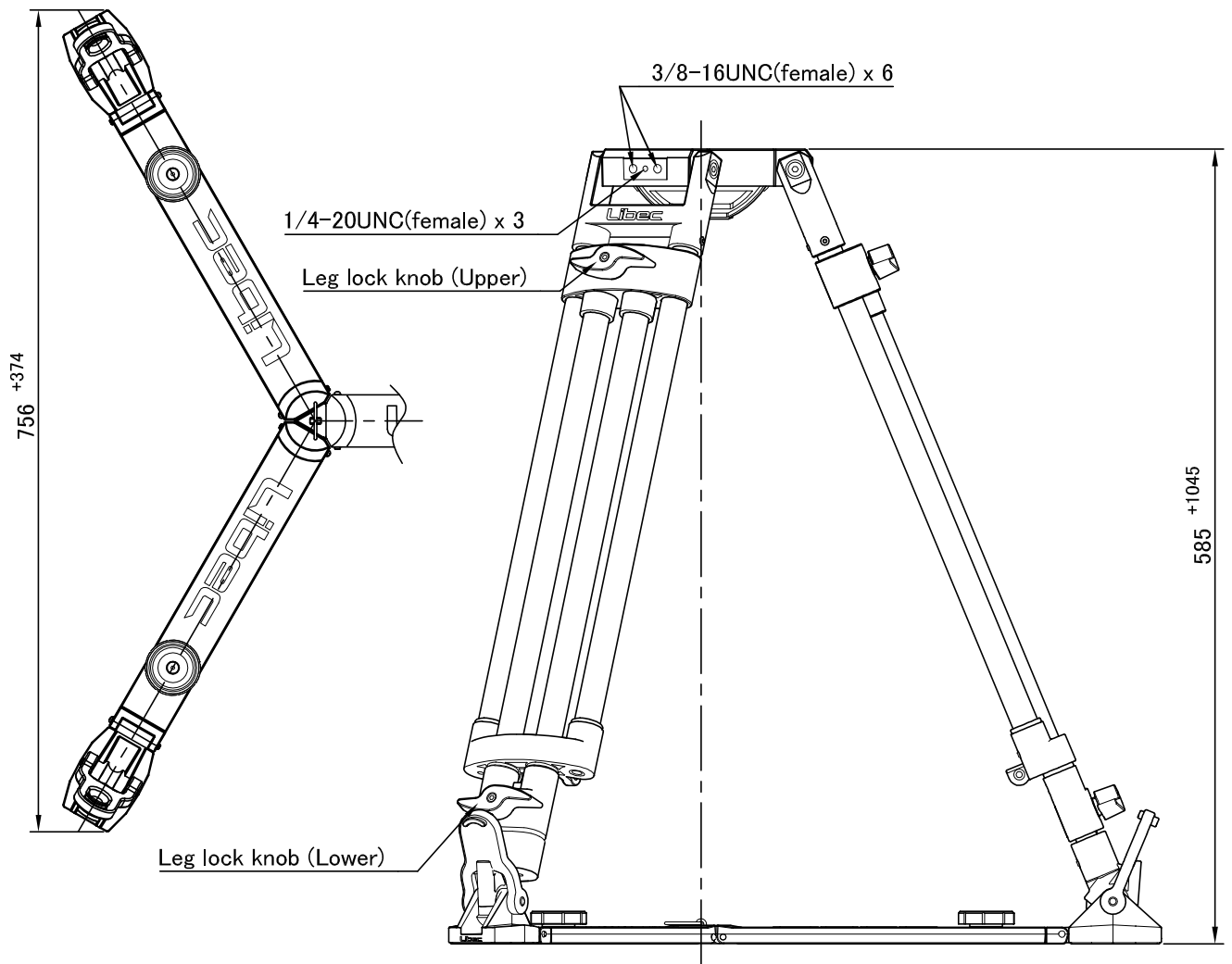
### Remarks

Outside diameter of pipe

Upper: ∅24 / Middle: ∅24 / Lower : ∅20

### ■ Exterior Dimensions (mm)

### ■ SP-15B



※: Reference

