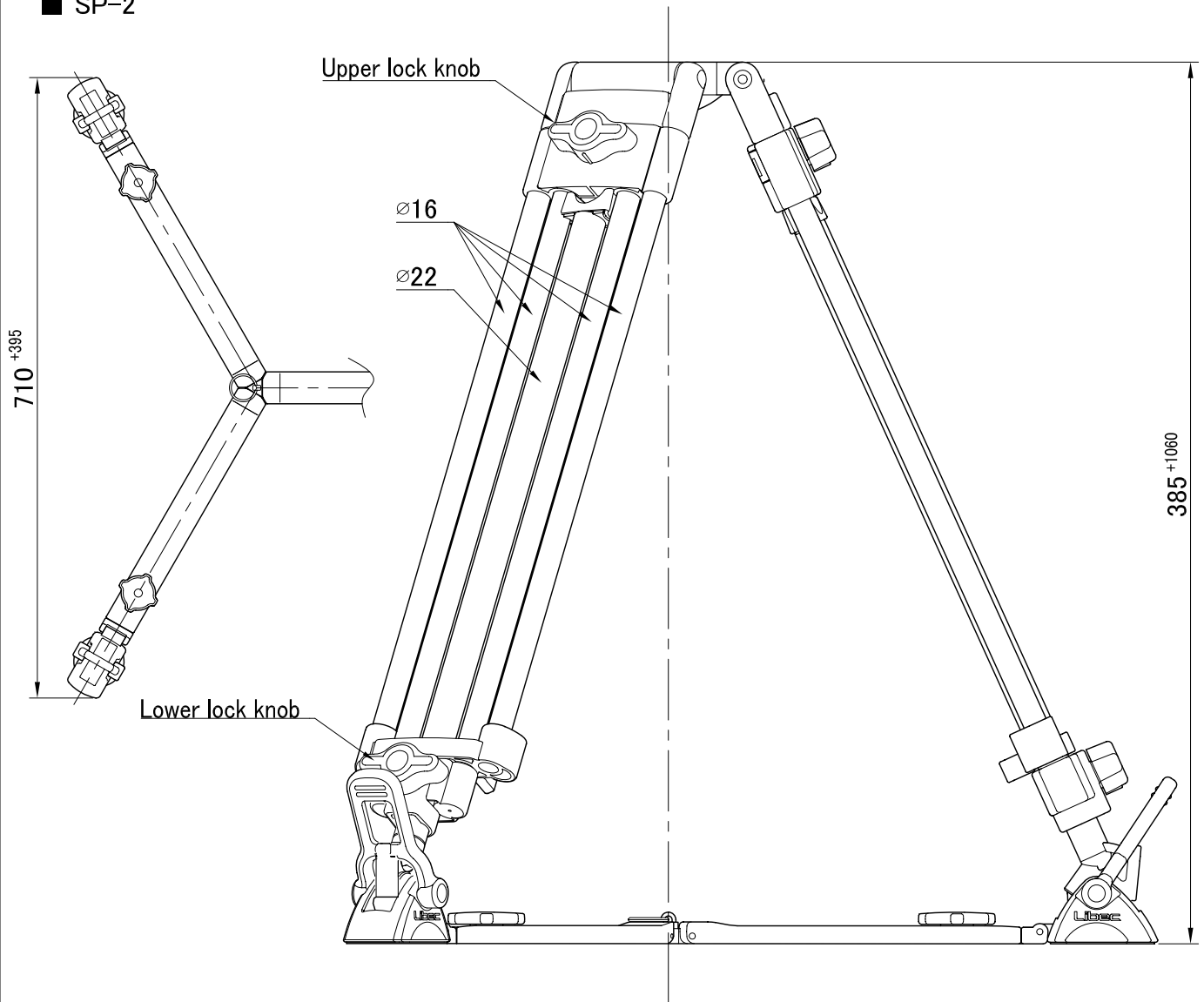


System	T98 (Tripod) + SP-2 (Floor spreader)		
Payload	35 kg / 77 lb	Ball diameter	φ 100 mm
Weight	3.6 kg / 7.9 lb	Section	2STAGE
Height	① H: 1445 mm W: 710 mm (※Reference)	Tripod fixation	Fixing lock knob
	② H: 385 mm W: 1105 mm (")	Spreader	SP-2 (Telescopic, Removable)
Folded length	③ L: 680 mm (")	Material	Aluminum pipe, Aluminum alloy, Engineering plastic

Remarks

■ Exterior Dimensions (mm)

■ SP-2



※: Reference

